

ODISHA CONSTRUCTION CORPORATION LIMITED
(A GOVT. OF ODISHA UNDERTAKING)
CENTRAL WORKSHOP, RASULGARH,
BHUBANESWAR-751010 (ODISHA)

* * * * *

TENDER DOCUMENT FOR

**“ Supply of Position Indicator & Hand drive parts in finished condition for 12T & 18T Rope drum Hoist of Depletion sluice
Lower Suktel Irrigation Project & 25T Rope drum Hoist of Power Intake gate of Kanupur Irrigation Project”**

The tender document comprises of the following:

- | | | |
|----|---|-------------------------|
| 1) | Tender call notice No. OCC/CWS/PROC/ LSIP-23 /
09 /2026-27 dated 03.06.2026 including cover page | 03 (Three) sheets |
| 2) | Terms and conditions | 04 (Four) sheets |
| 3) | Price schedule | 03 (Three) sheets |
| 4) | Drawings | 36 (Thirty Six) sheets |

Total : 46 (forty Six) sheets

**Signature of the tenderer or his/their
power of attorney holder
with designation & seal.**

**Senior Manager (Mech.)-I
OCC Ltd, Central Workshop,
Rasulgarh, Bhubaneswar-751010**

ODISHA CONSTRUCTION CORPORATION LIMITED
(A GOVT. OF ODISHA UNDERTAKING)
CENTRAL WORKSHOP, RASULGARH,
BHUBANESWAR-751010 (ODISHA)

TENDER CALL NOTICE No. OCC/CWS/PROC/ LSIP-23 / 09 /2026-27 dated 03.06.2026

Sealed Tender (through Speed Post) / (through Password protected email) in conformity with the terms & conditions are invited from the reputed manufacturers / Trader / Supplier for “ **Supply of Position Indicator & Hand drive parts in finished condition for 12T & 18T Rope drum Hoist of Depletion sluice Lower Suktel Irrigation Project & 25T Rope drum Hoist of Power Intake gate of Kanupur Irrigation Project** ” as per details below:

Cost of tender document (Non-refundable)	Sale of tender document		Earnest money deposit (EMD) required	Receipt of tender	Opening of Technical & price bid of tender
	From	To			
Rs. 600/- - GST @ 18% Rs.708/- by hand & Rs.808/- by Regd. Post/ courier	05.06.2026	Up to 1.00 PM 16.06.2026	1(One)% of the total quoted value excluding GST	Up to 3.30 P.M. on 16.06.2026	At 4.00 PM on 16.06.2026

- Tender document can be purchased by the interested reputed manufacturers / Trader / Supplier by hand from the office of the undersigned on payment of cost of tender document i.e. **Rs.600/-** + GST @ 18% amounting to **Rs.708/-** in cash or in shape of A/c. payee demand draft on any Nationalised Bank / Scheduled Bank payable at Bhubaneswar (Non-refundable) drawn in favour of “**Odisha Construction Corporation Limited - Project Account**” and on production of attested copies of the following documents and verification thereof by the undersigned.
 - Valid GST Registration Certificate.
 - PAN Card.
- The tender document can also be obtained by the interested reputed manufacturers by Speed Post on sending the cost of tender document i.e. **Rs.600/-** + GST @ 18% and postage charges of **Rs.100/-** amounting to **Rs.808/-** in shape of A/c. payee demand draft drawn on any Nationalised Bank / Scheduled Bank payable at Bhubaneswar (Non-refundable) drawn in favour of “**Odisha Construction Corporation Limited - Project Account**” and on production of attested copies of the following documents and verification thereof by the undersigned.
- The tender document can also be downloaded from our Website www.odishaconstruction.com to submit the tender .
- The tender document should be submitted only through Speed Post along with the following self attested hard copies / Email along with the following self attested scan copies mail ID (smcwsoccltender@gmail.com) within stipulated date and time . The undersigned will not be responsible for any kind of delay by the postal authorities or any technical issue of website.
 - Valid GST Registration Certificate.
 - PAN Card.
 - Tenderer should submit valid manufacturer certificate / Trader License.
 - The Bidder has to submit copies of purchase orders, credentials, certificates etc. in support of supply of similar items of similar magnitude(in total) in last 5 financial years (i.e. from financial year 2020-21 to 2024-25 including current financial year 2025-26).
- Bidders are requested to visit OCCL website regularly for addendum and corrigendum since any changes will not be published in news paper.

However, the cost of tender document i.e **Rs.600/-** plus GST @ 18% amounting to **Rs.708/-** in shape of A/c payee demand draft as stated above in favour of “**Odisha Construction Corporation Limited**” - **Project Account** on any Nationalised Bank/ Scheduled Bank payable at Bhubaneswar (Non-refundable) along with attested photo copies of all above documents should be submitted while submitting the tender in Envelope-I. Otherwise, the offer shall not be considered and OCCL will not be responsible for missing of any page while downloading. If there will be a public holiday on the last date of sale of tender document and receipt & opening of the tender as specified above, the tender document will be sold and tender will be received & opened on the next working day at the same time and venue.

Contd.

The SSI/NSIC/MSME units participating in tender are not entitled for exemption from payment of EMD/ Security Deposits/ Tender Paper costs as communicated vide DOWR Letter No. IIM-24/2018-14318/WR dated 24.05.2018 & Head Office, OCCL Letter No.5502/OCC/ CW-02/09(Vol-V)(WE) dated 30.05.2018.

The tenders will be opened in the presence of the tenderers or their authorised representatives. Tender through Fax/Telex/telegram will not be accepted

The undersigned reserves the right to accept or reject any or all tenders without assigning any reason thereof.

**Signature of the tenderer or his/their
power of attorney holder
with designation & seal.**

**Senior Manager (Mech.)-I
OCC Ltd, Central Workshop,
Rasulgarh, Bhubaneswar-751010**

ODISHA CONSTRUCTION CORPORATION LIMITED

(A GOVT. OF ODISHA UNDERTAKING)

CENTRAL WORKSHOP, RASULGARH,

BHUBANESWAR-751010 (ODISHA)

TERMS AND CONDITIONS OF TENDER FOR

“ Supply of Position Indicator & Hand drive parts in finished condition for 12T & 18T Rope drum Hoist of Depletion sluice Lower Suktel Irrigation Project & 25T Rope drum Hoist of Power Intake gate of Kanupur Irrigation Project”

1. Reputed manufacturers / Trader / Supplier having supplied similar item of similar magnitude earlier and satisfactorily accepted by the clients will be eligible to participate in the tender. The copies of purchase orders, credentials, certificates etc. in support of similar supply and satisfactory performance thereof shall be furnished along with the tender.
2. The tenderer should submit Earnest Money Deposit (EMD) @ 1(One)% of the total quoted value along with the tender in shape of A/C payee Demand Draft drawn in favour of “Odisha Construction Corporation Limited” - Project Account on any Nationalised Bank / Scheduled bank payable at Bhubaneswar. The tenders received without EMD will be out rightly rejected. EMD of the unsuccessful tenderers will be released only after finalization of the tender.
3. For submission of tender through Speed Post, the outer cover should be sealed and subscribe in bold letters as “ **Supply of Position Indicator & Hand drive parts in finished condition for 12T & 18T Rope drum Hoist of Depletion sluice Lower Suktel Irrigation Project & 25T Rope drum Hoist of Power Intake gate of Kanupur Irrigation Project** ” and also date of opening of tender. The name and address of the tenderer should not be written on outer cover. Only the name and address of the purchaser should be written on the outer cover.
4. The offer should contain the following copies:
 - a) Valid GST Registration Certificate (self attested).
 - b) PAN Card (self attested).
 - c) Purchase orders, credentials, certificates etc. in support of supply of similar items of similar magnitude during any one financial year of last 5 financial years(i.e. from financial year 2021-22 to 2025-26)(self attested).
 - d) The original terms & conditions, price schedule duly signed by the tenderer, without which the offer will not be considered .
 - e) EMD of 1% as per clause- 2 above
5. The tenderer will quote their rates F.O.R. OCCL Store, Central Workshop, Rasulgarh, Bhubaneswar indicating separately the basic price per each inclusive of packing, forwarding, transportation, transit insurance and handling charges & GST, duties, levies etc. strictly in the detailed specifications and price schedule format in original. All columns and lines of the price schedule should be filled in properly without leaving anything blank. The details and rates of duties, taxes and levies etc. should be indicated clearly in the price schedule.
6. The tender document should be submitted a) through Speed Post along with the required self attested hard copies b) through email ID (smcwsoccltender@gmail.com) (different password protected for technical and financial Bid along with the required self attested scan copies within stipulated date and time . The undersigned will not be responsible for any kind of delay by the postal authorities or any technical issue of website.
7. The Tenderer should submit tender cost along with self attested photo copies of above documents. The Envelope-I / Enclosure (Technical) will contain complete tender document along with all above required documents, EMD and cost of tender documents. The Envelope -II / Enclosure (Financial) will contain only financial Bid, otherwise, the offer shall not be considered and OCCL will not be responsible for missing of any pages .
8. The Bid documents (technical bid & price bid) submitted through e-mail by the bidders must be password protected & the password is to be set by the Bidder himself.

**Signature of the Tenderer agency or
His/their Power of attorney holder
with designation & seal.**

**Senior Manager (Mech.)-I
OCC Ltd, Central Workshop,
Rasulgarh, Bhubaneswar-10.**

9. The Bid documents (technical bid & price bid) will be opened in presence of the interested bidders on the scheduled date and time as mentioned in the tender.
10. The password is to be revealed or intimated by the tenderer or Bidder at the time of opening of price Bid documents.
11. The Bids received through e-mail without password will be out-rightly rejected.
12. The tenderer who will participate through email (**smcwsoccltender@gmail.com**), must upload all the self attested technical Bid documents in one Enclosure (Technical) and the Price schedule in another Enclosure (Financial). The tenderer (participated through e-mail) will scan the relevant documents and upload the same along with password protection. Subject of the Email should be **“Tender for Supply of Position Indicator & Hand drive parts in finished condition for 12T & 18T Rope drum Hoist of Depletion sluice Lower Suktel Irrigation Project & 25T Rope drum Hoist of Power Intake gate of Kanupur Irrigation Project”**.
13. Original copy of tender, tender paper cost must submitted to the undersigned within 05(five) days of opening of tender, otherwise bid shall be rejected and the Bidder will be debarred for participation in any future tender.
14. The tenders will be received and opened in the office of the undersigned as per the information in the table of tender call notice in presence of the Tenderer or their authorized representatives, if they so desire.
15. If there will be a public holiday on the last date of sale of tender document and receipt & opening of the tenders as specified above, the tender document will be sold and tenders will be received & opened on the next working day at the same time and venue.
16. The tenderer should quote appropriate taxes with the offer.
17. The rates and amounts should be quoted both in figures and words in the price schedule. Any correction or overwriting in the specification and price schedule should be duly certified by the tenderer or his power of attorney holder. In case of any mismatch in figures and words, the rates in words will be considered. In case of any mismatch in rates and amount, the rate will be considered.
18. The materials should be supplied in assembled conditions by successful tenderer / supplier as per required drawings which can be collected from the office of the Senior Manager (Mech.)-I, Central Workshop and should strictly conform to relevant standards of Bureau of Indian Standard (BIS) as mentioned .
19. All structural steel materials required as per drawing should be of make SAIL / TATA / JINDAL. Manufacturer test certificate of steel materials should be furnished by bidder.
20. The materials will be guaranteed by the supplier against any defect for a period of 18 months from the date of supply or 12 months from the date of use, whichever is earlier. Guarantee certificate in this regard will accompany with supply of materials. If any defect is found in the materials within the guarantee period, the same will have to be replaced free of cost by the supplier.
21. The rate of materials should be quoted by the tenderer on set basis only. The same should be supplied by the successful supplier as per specification and Price Schedule.

**Signature of the tenderer or his/their
power of attorney holder
with designation & seal.**

**Senior Manager (Mech.)-I
OCC Ltd, Central Workshop,
Rasulgarh, Bhubaneswar-751010**

22. The tenderer will quote their rates F.O.R. OCCL Store, Central Workshop, Rasulgarh, Bhubaneswar-10 (Odisha) indicating separately the basic price, packing, forwarding, transportation, transit insurance, handling charges, taxes, duties, levies etc. strictly in the specifications and price schedule format in original. All columns and lines of the specification and price schedule should be filled in properly without leaving any thing blank. The details and rates of duties, taxes etc. should be indicated clearly in the specification and price schedule.
23. The tenderer should quote appropriate taxes with the offer.
24. Pre-delivery inspection (P.D.I) before despatch of the materials will be made at the manufacturer's works by the authorized representative of the purchaser / client / third party for which the manufacturer should intimate in writing for P.D.I. 10 days in advance regarding readiness for P.D.I.
25. The rates and amounts should be quoted both in figures and words in the price schedule. Any correction or overwriting in the specification and price schedule should be duly certified by the tenderer or his power of attorney holder. In case of any mismatch in figures and words, the rates in words will be considered. In case of any mismatch in rates and amount, the rate will be considered.
26. 90% payment will be made within 30 days of receipt, verification and acceptance of the complete materials along with bill, test certificate, guarantee certificate and other documents. Balance 10% will be released after 18 months of supply or 12 months from the date of commissioning whichever is earlier. However if a performance bank guarantee is received for 10% of the value of materials, the same will be released within 60 days from the date of receipt of materials.
27. The purchaser reserves the right to forfeit and encash the performance bank guarantee / EMD in full in case any casting is found defective and not replaced by the tenderer/supplier within a suitable time fixed by the corporation. Any repair to the casting shall be made only after approval of the purchaser. In this connection, the decision of the purchaser is final and binding on the tenderer/supplier.
28. Price escalation will not be allowed under any circumstances. The quoted rates will remain firm till execution of the work order.
29. The validity of the offer should be for a period of 120 (One hundred twenty) days from the date of opening of the tender.
30. The complete ordered quantity shall be supplied by the successful tenderer within 45 (Forty five) days from the date of issue of purchase order failing which the order is liable for cancellation without assigning any reason thereof by the purchaser. In case of cancellation of the order the EMD will be forfeited. In case of any delay in supply of material beyond the delivery schedule whatever may be the reason, supplier shall be liable to pay L.D. @ 0.5% (Half percent) of the total order value per week of delay or part thereof subject to a maximum of 5% (Five percent) of the total order value.
31. After submission of tender and before placing order, the bidder may be asked by the undersigned to attend techno-commercial discussions and reply to queries within a specified period. If the bidder fail to do so, the tender submitted by the bidder is liable to be cancelled.
32. Conditional offers with deviations will not be accepted. Those, who do not agree to the terms and conditions regarding payments, delivery and others, need not quote.

**Signature of the tenderer or his/their
power of attorney holder
with designation & seal.**

**Senior Manager (Mech.)-I
OCC Ltd, Central Workshop,
Rasulgarh, Bhubaneswar-751010**

33. The authority reserves the right to accept/reject any or all tenders without assigning any reason thereof. The required quantity of materials can be splitted among the two or more tenderers. In this connection, the decision of purchaser is final and binding on the tenderer.
34. The duplicate copy of the order shall be signed by the supplier on each page with his seal as acceptance of the order and shall be returned to the purchaser within 07 (Seven) days of receipt of this order failing which the order is liable for cancellation.
35. Tender through fax/telex/telegram/e-mail will not be accepted.
36. Any dispute arising out of this tender or order thereof is to be settled in proper court under the jurisdiction of Odisha High Court at Cuttack or courts under the jurisdiction of Odisha High Court at Bhubaneswar only.

**Signature of the tenderer or his/their
power of attorney holder
with designation & seal.**

**Senior Manager (Mech.)-I
OCC Ltd, Central Workshop,
Rasulgarh, Bhubaneswar-751010**

**ODISHA CONSTRUCTION CORPORATION LIMITED
(A GOVT. OF ODISHA UNDERTAKING)
CENTRAL WORKSHOP, RASULGARH,
BHUBANESWAR-751010 (ODISHA).**

DETAILED SPECIFICATION AND PRICE SCHEDULE FOR	
“ Supply of Position Indicator & Hand drive parts in finished condition for 12T & 18T Rope drum Hoist of Depletion sluice Lower Suktel Irrigation Project & 25T Rope drum Hoist of Power Intake gate of Kanupur Irrigation Project ”	
VIDE TCN No.OCC/CWS/PROC/ LSIP-23 / 09 /2026-27 DATED 03.06.2026 DUE DATE OF OPENING ON DATED 16.06.2026	

Sl. No.	Part No.	Description of Item	Unit	Qty. Reqd. in unit	Rate per unit in Rs.				Total amount in Rs. for full materials	
					Basic Price per unit	GST as applicable	Total in figures	Total in words	In figure	In words
12 T Rope drum hoist of Depletion Sluice Lower Suktel irrigation project .										
1	8-10	Sheet (170 X 3.15-40 width) in finished condition of Material-Stainless steel SS X 04 Cr18Ni10 (Annexure-1)	Nos.	2						
2	8-16	Sprocket 41T in finished condition of material- Structural steel As per Drawing (Annexure-2)	Nos.	2						
3	8-17	Sprocket 19T in finished condition of material- Structural steel As per Drawing (Annexure-3)	Nos.	2						
4	8-21	Dial plate in finished condition of material- Brass of IS:410 ,As per Drawing (Annexure-4)	Nos.	2						
5	9-4	Dog clutch (sliding) in finished condition of Material-Structural steel , As per Drawing (Annexure-5)	Nos.	2						
6	9-5	Dog clutch (Fixed) in finished condition of Material-Structural steel , As per Drawing (Annexure-6)	Nos.	2						
7	9-6	Slider Bush in finished condition of Material Brass of IS:410, As per Drawing (Annexure-7)	Nos.	4						

**Signature of the tenderer or his/their
power of attorney holder
with designation & seal.**

**Senior Manager (Mech.)-I
OCC Ltd, Central Workshop,
Rasulgarh, Bhubaneswar-751010**

8	9-13	Chain sprocket(Driven) in finished condition of Material cast steel of IS: 2403 , As per Drawing (Annexure-8)	Nos.	2						
9	9-14	Chain wheel (Driving) in finished condition of Material cast steel of IS: 2403 , As per Drawing (Annexure-9)	Nos.	2						
10	10-11	φ 50 pulley with pin in finished condition of Material-Structural steel , As per Drawing.	Nos.	4						
18 T Rope drum hoist of Depletion Sluice Lower Suktel irrigation project .										
11	8-10	Sheet (170 X 3.15-40 width) in finished condition of Material-Stainless steel SS X 04 Cr18Ni10 (Annexure-1)	Nos.	2						
12	8-16	Sprocket 26T in finished condition of material- Structural steel As per Drawing (Annexure-2)	Nos.	2						
13	8-17	Sprocket 19T in finished condition of material- Structural steel As per Drawing (Annexure-3)	Nos.	2						
14	8-21	Dial plate in finished condition of material- Brass of IS:410 ,As per Drawing (Annexure-4)	Nos.	2						
15	9-4	Dog clutch (sliding) in finished condition of Material-Structural steel , As per Drawing (Annexure-5)	Nos.	2						
16	9-5	Dog clutch (Fixed) in finished condition of Material-Structural steel , As per Drawing (Annexure-6)	Nos.	2						
17	9-6	Slider Bush in finished condition of Material Brass of IS:410, As per Drawing (Annexure-7)	Nos.	4						
18	9-13	Chain sprocket(Driven) in finished condition of Material cast steel of IS: 2403 , As per Drawing (Annexure-8)	Nos.	2						
19	9-14	Chain wheel (Driving) in finished condition of Material cast steel of IS: 2403 , As per Drawing (Annexure-9)	Nos.	2						
20	10-11	φ 50 pulley with pin in finished condition of Material-Structural steel , As per Drawing.	Nos.	4						

**Signature of the tenderer or his/their
power of attorney holder
with designation & seal.**

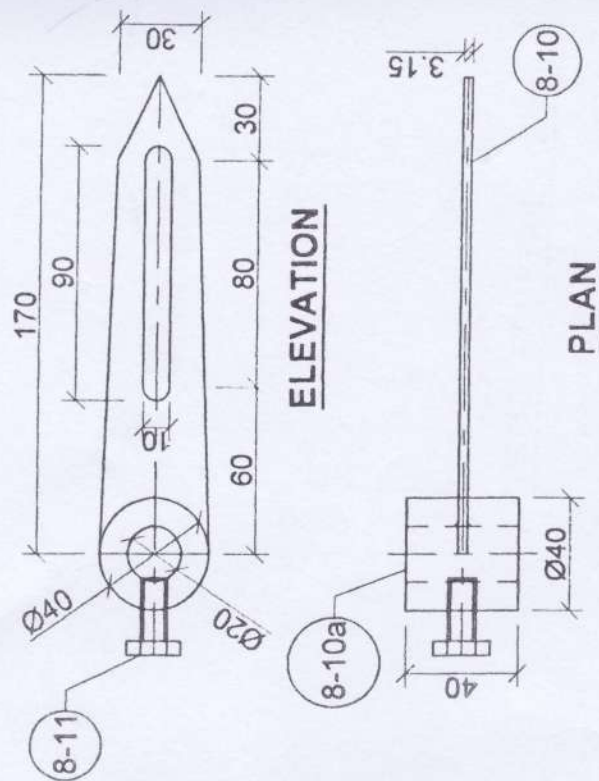
25 T Rope drum hoist of power intake gate of Kanupur irrigation project									
21	8-10	Sheet (170 X 3.15-40 width) in finished condition of Material-Stainless steel SS X 04 Cr18Ni10 As per drawing (Annexure-9)(A&B)	Nos.	2					
22	8-16	Sprocket in finished condition of material-Structural steel As per Drawing (Annexure-1) (A&B)	Nos.	2					
23	8-17	Sprocket in finished condition of material-Structural steel As per Drawing (Annexure-2) (A&B)	Nos.	2					
24	8-21	Dial plate in finished condition of material- Brass of IS:410 ,As per Drawing (Annexure-3) (A&B)	Nos.	2					
25	10-4	Dog clutch (sliding) in finished condition of Material-Structural steel , As per Drawing (Annexure-4) (A&B)	Nos.	2					
26	10-5	Dog clutch (Fixed) in finished condition of Material-Structural steel , As per Drawing (Annexure-5) (A&B)	Nos.	2					
27	10-6	Slider Bush in finished condition of Material Brass of IS:410, As per Drawing (Annexure-6) (A&B)	Nos.	4					
28	10-13	Chain sprocket(Driven) in finished condition of Material cast steel of IS: 2403 , As per Drawing (Annexure-7) (A&B)	Nos.	2					
29	10-14	Chain wheel (Driving) in finished condition of Material cast steel of IS: 2403 , As per Drawing (Annexure-8) (A&B)	Nos.	2					
30	11-11	φ 50 pulley with pin in finished condition of Material-Structural steel , As per Drawing.	Nos.	4					

- N.B :
- i) Price should be inclusive of P&F, trans., transit insurance, handling charges, incidental charges etc.
 - ii) Drawing must be collected before submission of tender from the undersigned.

**Signature of the tenderer or his/their
power of attorney holder
with designation & seal.**

**Senior Manager (Mech.)-I
OCC Ltd, Central Workshop,
Rasulgarh, Bhubaneswar-751010**

Annexure - 1



NEEDLE DETAIL - (8-10), (8-10a)

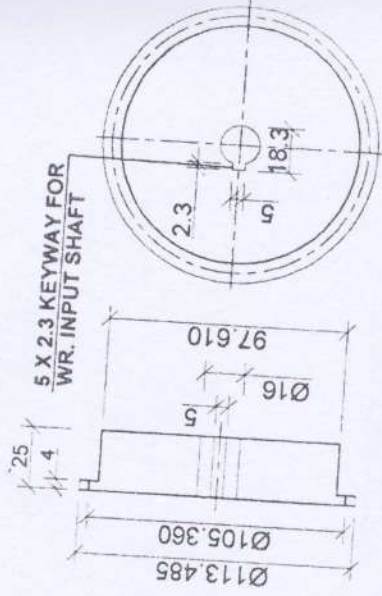
MATL: SS 04Cr18Ni10 OR AISI 304

Total no. required - 1 (S-10-1) / set

Total quantity - 2 (Tno)

1ST ROPE FROM HOIST OF LOWER
BUCKET DRIFTGATION PROJECT,
MCC (SERVED GATE)

Annexure-2



SPROCKET DETAIL - (8-16)

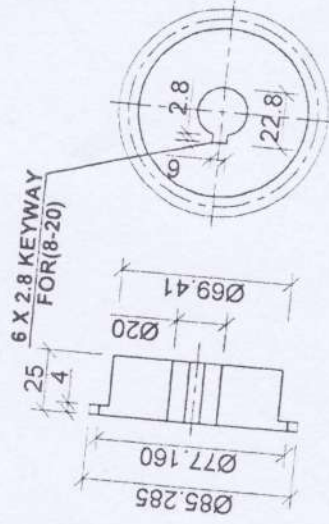
Material - Structural Steel

Quantity - 1/scr

Total quantity = 2 (Two)

1ST ROPE DRUM HOIST O/L LOWS
SUKTEL DEREGATION PROJECT

Annexure - 3



SPROCKET DETAIL - (8-17)

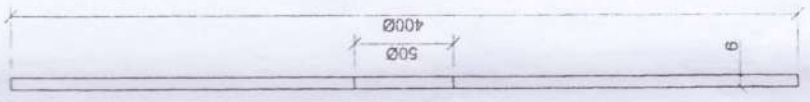
Material - Structural steel

Total no. required - 1/set

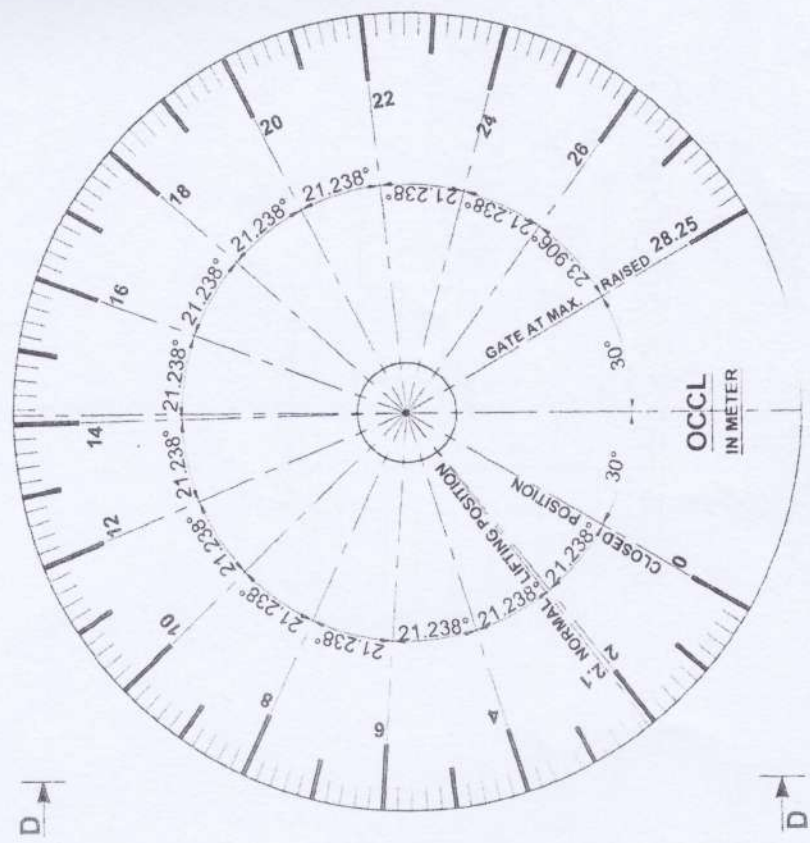
Total quantity = 2 (Two)

1ST ROPE DRUM HOIST OL COOF
SUKTEL DRIDGATION PROJECT

Annexure-4



VIEW - DD

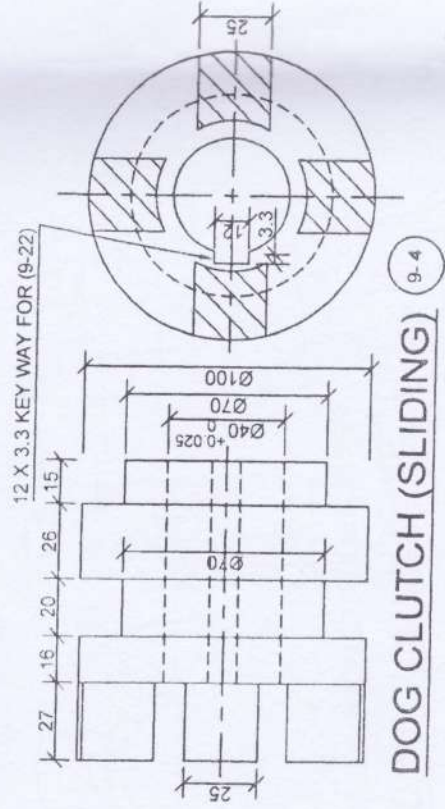


DIAL (8-21)

MARKING ARE TO BE ENGRAVED

Material - BRASS OF DS: 410
Quantity - 1/set
Total Quantity = 2 (Two)

1ST ROPE DRUM HEIGHT OF LOU

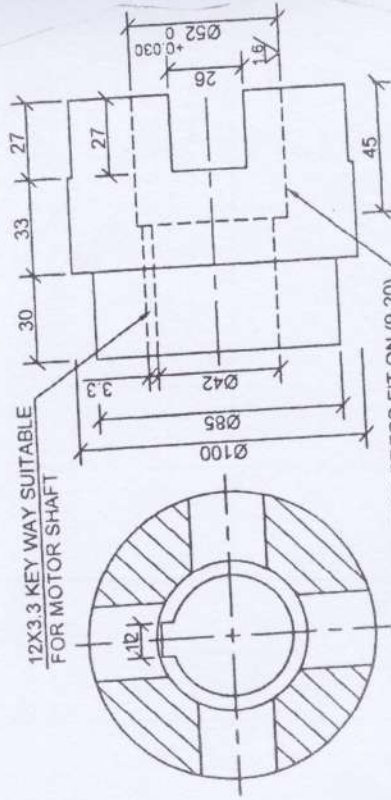


Material - Structural steel
 Quantity - 1/set
 Total quantity = 2

NOTE (9-22) - Parallel Key
 A12 X 8 X 220 Long
 OF IS: 2048.

1ST ROPE DROM HOIST OF LOWER
 SUKTEC DRAGGATION PROJECT

Annexure - 6



DOG CLUTCH (FIXED) (9-5)

Material - STRUCTURAL STEEL

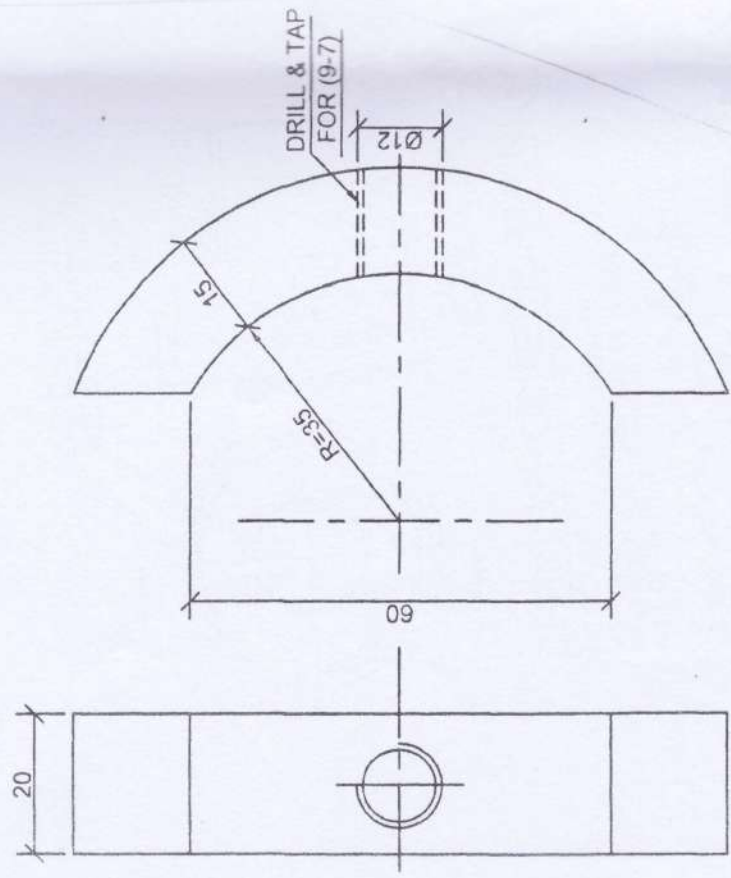
Quantity - 1/Set

Total quantity = 2 (1000)

NOTE - (9-20) - self Aligning Ball Bearing SKF 2205 - 2 REPAIR OR Requirement. equivalent.

18T ROPE DRUM HOIST OF LOWER SUKTEL IRRIGATION PROJECT. (SERVING RATE)

Approved



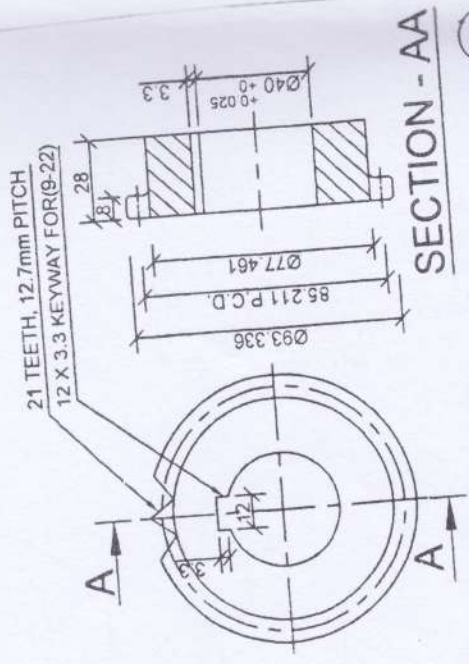
SLIDER BUSH ⁹⁻⁶

MATERIAL - BRASS of IS:410

Quantity - 2/set

NOTE - (9-7) PIN FOR SLIDER BUSH.

Total quantity = 4 (for) 1st. ROPE DRUM HOIST OF LOWER SUKTEL TRIGGATON PROJECT (SUKTEL TRIGGATON)



CHAIN SPROCKET (DRIVEN) 9-13

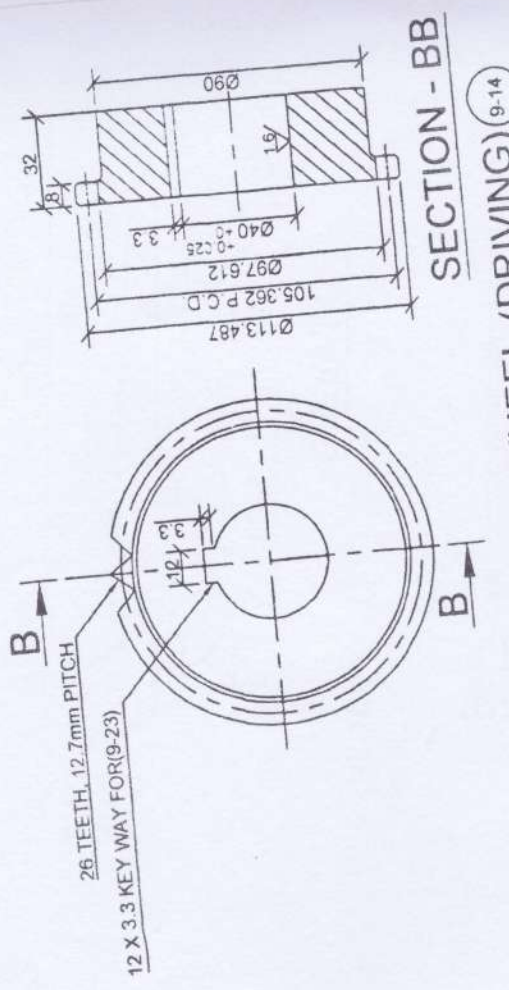
SPECIFICATION
MATERIAL - CAST STEEL/STR STEEL
PITCH - 12.7 FOR CHAIN 082-1 OF IS:2403
NOS. OF TEETH - 21

Quantity - 1 / set
Total quantity = 2 (Two)

NOTE - (9-22) - PARALLEL KEY A12 X S X 220
LONG OF TS: 2048.

1ST ROPE DRUM HOIST OF COA
SUKTEL DRIGATION PRATE
OCC. (SERVICE GATE)

Amendment - 9



CHAIN WHEEL (DRIVING) 9-14

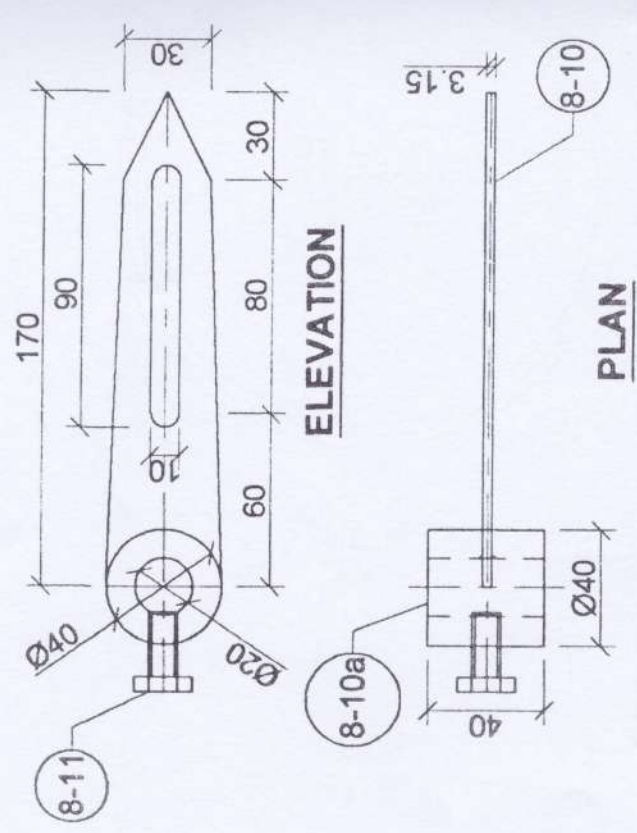
SPECIFICATION:-
 MATERIAL - CAST STEEL/STR. STEEL
 MATERIAL - CAST STEEL/STR. STEEL
 PITCH - 12.7 FOR CHAIN 082-1 OF IS:2403
 NOS. OF TEETH = 26

Quantity - 1/each
 Total quantity = 2 (Two)

NOTE - (9-23) - PARALLEL KEY A12 X 8 X 32
 LONG OF IS: 2045.

1ST ROPE DRUM HOIST OF LOWER
 SOKTEL DRIGATION PROJECT,
 COORVTC (GATE)

Attachment - A

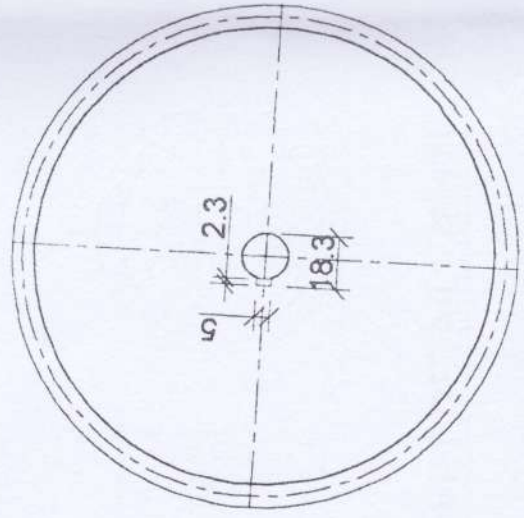
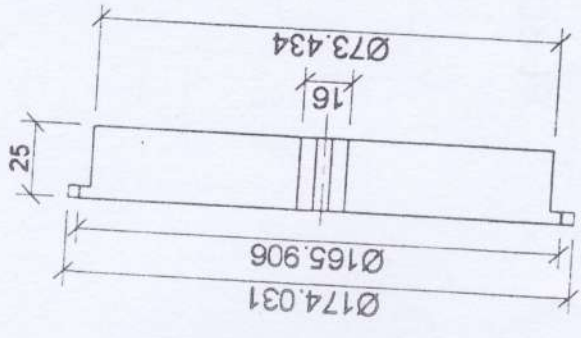


NEEDLE DETAIL - (8-10), (8-10a)
MATERIAL: SS 04Cr18Ni10 OR AISI 304

Quantity = 1 (8-10-1) / set
Total quantity = 2 (Two)

12T ROPE DROM HOST OF LOW
SUKTEL IRRIGATION, PROJECT,

Handwritten signature or initials at the top left of the page.



SPROCKET DETAIL - (8-16)

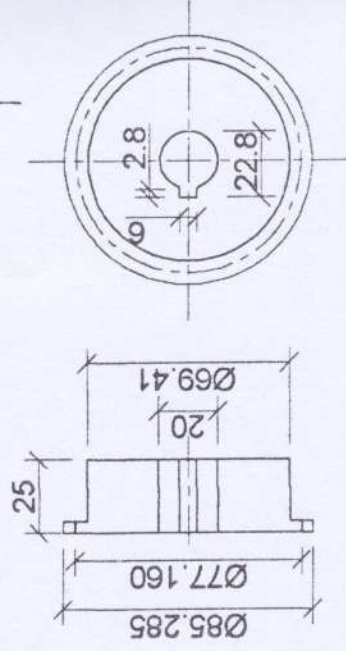
Material - Structural Steel.

Quantity - 1 / set

Total quantity = 2 (Two)

12T ROPE DRUM HOIST OF LOWER
SUKTEL DRIGATION DEPT.

Annexure-3



SPROCKET DETAIL - (8-17)

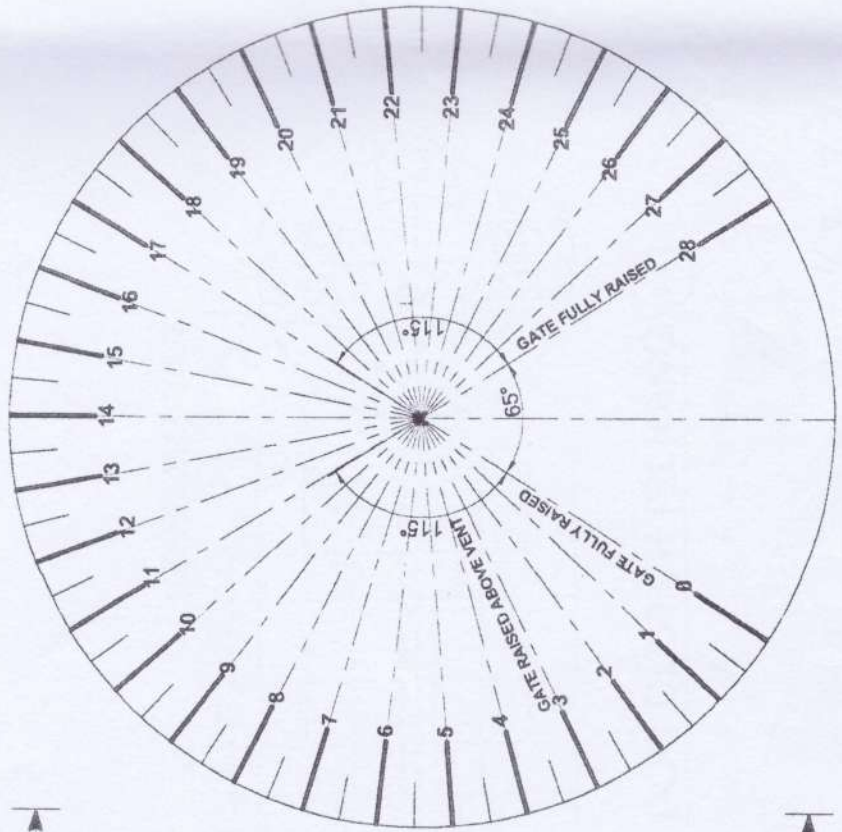
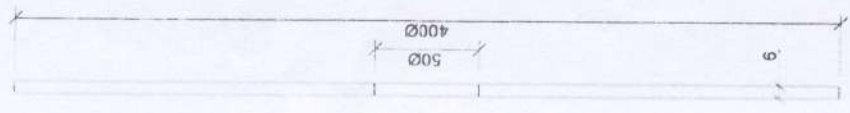
Material - Structural steel

Quantity - 1 Set

Total quantity = 2 (Two)

12T ROPE DRUM HOIST OF
LOWER SOKTEL PRODUCTION
BENTON OCC. EMERGENCY 6:

Annotations



DIAL (8-21)

MARKINGS ARE TO BE ENGRAVED

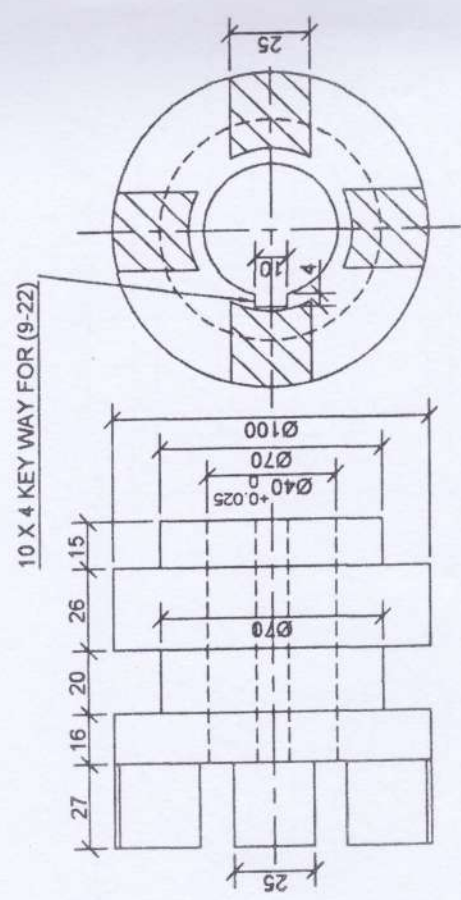
VIEW - DD

12T ROPE DRUM HOIST OF LOW
 SUKTEL IRRIGATION PROJECT
 ...

Material - BRASS of
 IS: 410

Total quantity = 2 (Two) Quantity - 1 / set

Amruteshwar.S



DOG CLUTCH (SLIDING) 9-4

Material - Structural steel

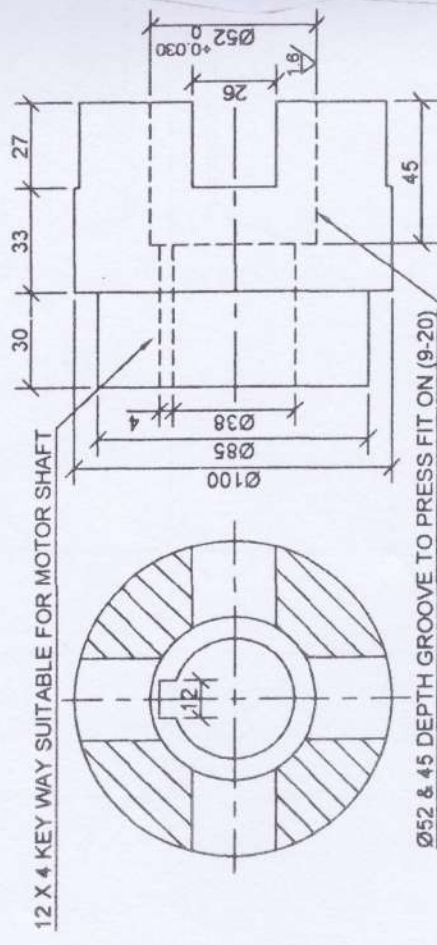
Quantity - 1 / set

Total quantity = 2 (Two)

NOTE - (9-22) - 10X10-220 Long Square Key

12T ROPE DRUM HOIST OF LOWE
SUKTEL BRIDGE GATE ON PROJECT,
NCC. (EMERGENCY GATE)

Approved



DOG CLUTCH (FIXED) 9-5

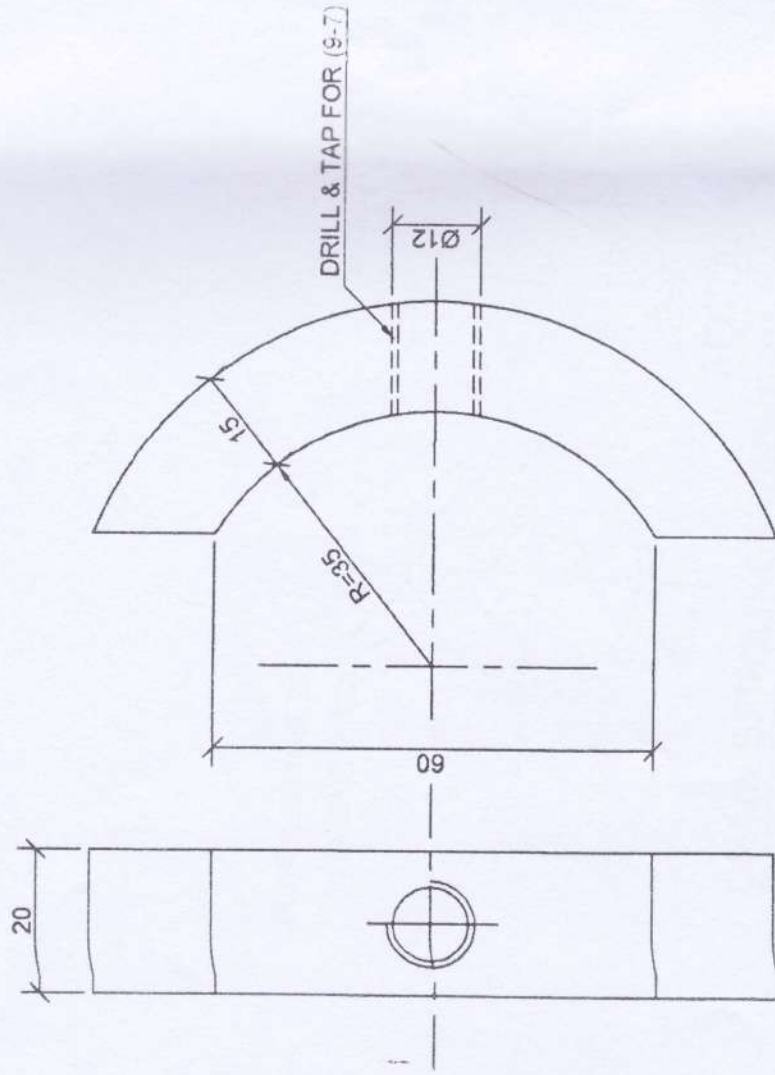
Material - Structural Steel

Quantity - 1 / set

Total quantity = 2 (Set) (Two)

NOTE - (9-20) - Self aligning Ball Bearing SKF 2205-2RS1 or equivalent. 12T ROPE DRUM HOIST OF LOWER SVKTEL DEREGATION PROJECT.

Transfer



SLIDER BUSH (9-6)

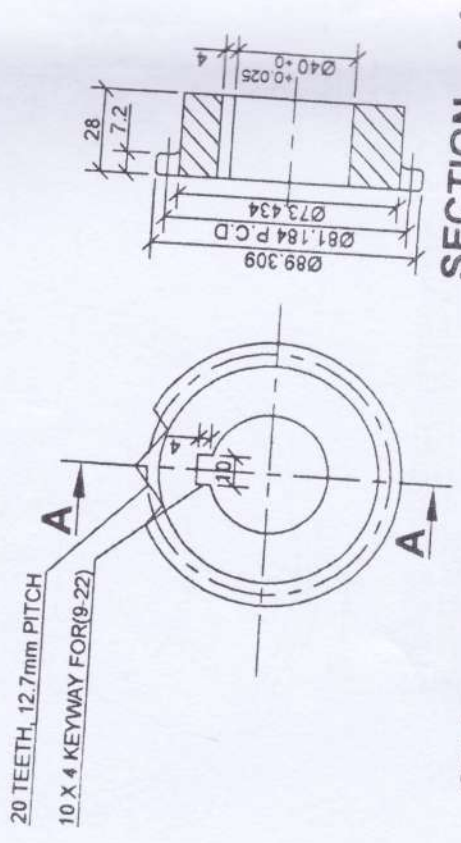
MATERIAL:- BRASS OF IS:410

Quantity - 2 / set
Total quantity = 4 (fours)

NOTE - (9-7) - PIN FOR SLIDER BUSH

12T ROPE DRUM HOIST OF
LOWER SATEL IRRIGATION
PROJECT. (COMPONENT)

Ammanapur-8



SECTION - AA

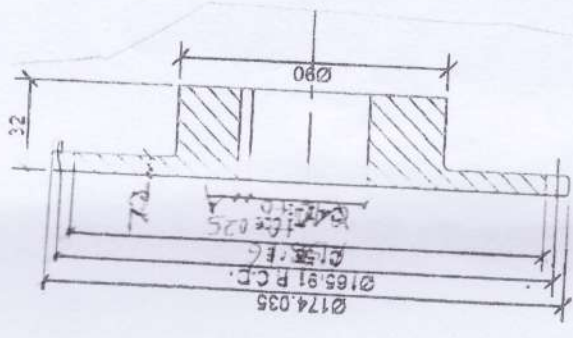
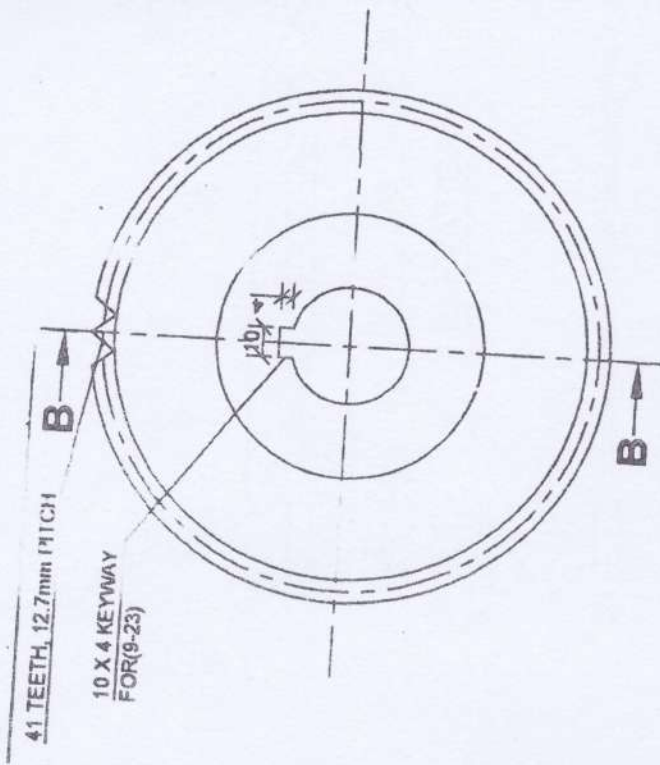
CHAIN SPROCKET (DRIVEN) 9-13

SPECIFICATION:
MATERIAL - CAST STEEL/STR. STEEL
PITCH - 12.7 FOR CHAIN 081-1 IS:2403
NO OF TEETH - 20

Quantity - 1/cd
Total quantity = 2 (top)

NOTE - (9-22) - 10X10 - 220 LONG SQUARE KEY
12T ROPE DRUM HOIST OF LOWER
SUKTEL IRRIGATION PROJECT.

Approximate - 9



CHAIN WHEEL (DRIVING) 9-14

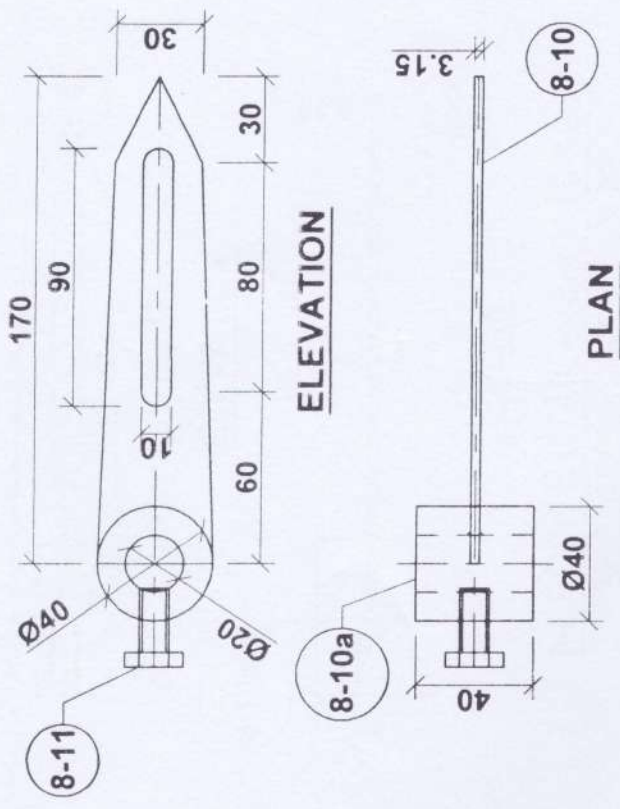
SPECIFICATION:-
 MATERIAL - CAST STEEL/STR. STEEL
 PITCH - 12.7 FOR CHAIN 081-1 IS:2403
 NO OF TEETH - 41

Quantity - 1 / set
 Total quantity = 2 (Two)

NOTE - (9-23) - 10 X 10 - 32 LONG SQUARE KEY

12T ROPE DRUM HOIST OF LOWER
 SUKTEL IRRIGATION PROJECT
 DCC (EMERGENCY GATE)

Appendix-9
(A)



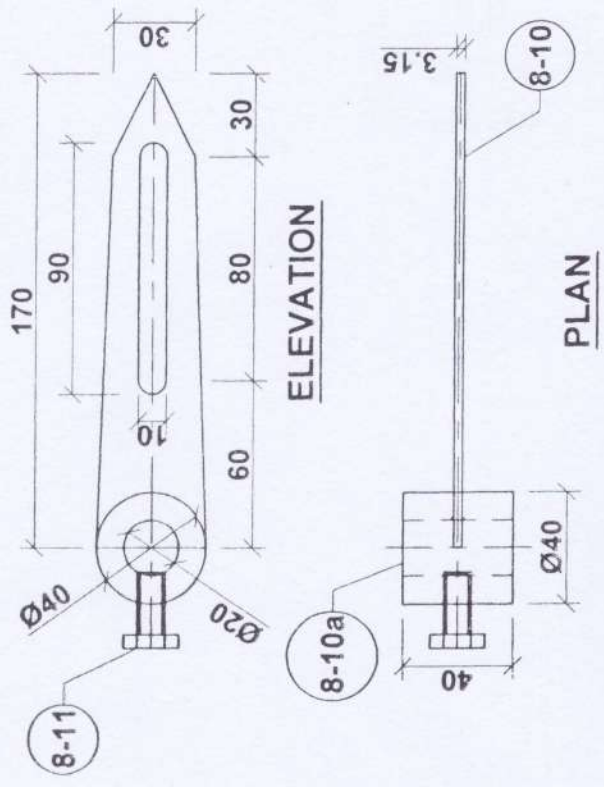
NEEDLE DETAIL - (8-10), (8-10a)

MATL: SS 04Cr18Ni10 OR AISI 304

Total quantity = 1

257 Rope down hoist of Kapers
Power Infake (Service gate)


Appendure - 9
(B)



NEEDLE DETAIL - (8-10), (8-10a)
MATL: SS 04Cr18Ni10 OR AISI 304

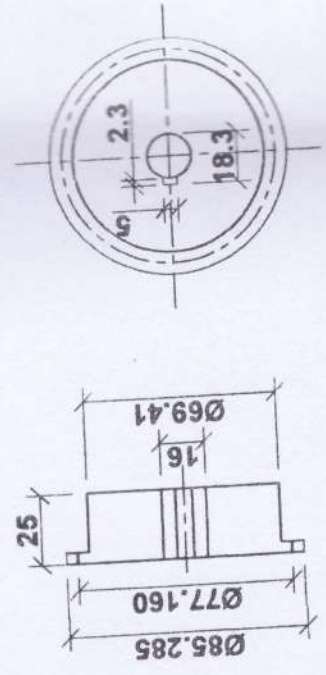
Total quantity - 1

2.5 T Rope drum hoist & power
infake gate & Karpur Damaged -
in project. (Emergency gate)

Approved 

Sprocket details

No of teeth - 19
pitch - 12.7mm
PCD - 77.16 mm



SPROCKET DETAIL - (8-16)

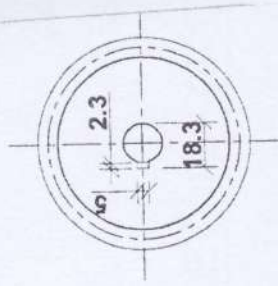
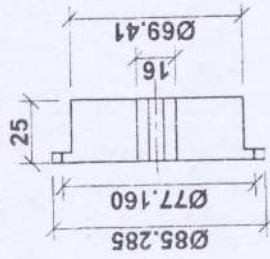
Material = STRUCTURAL STEEL
Quantity = 2 number

25T ROPE DRUM HOIST OF POWER
INTAKE GATE OF KANUPUR TRP.
RECEIVING GATE

Amrampur

Sprocket details

No. of teeth - 19
pitch - 12.7mm
PCD - 77.16 mm



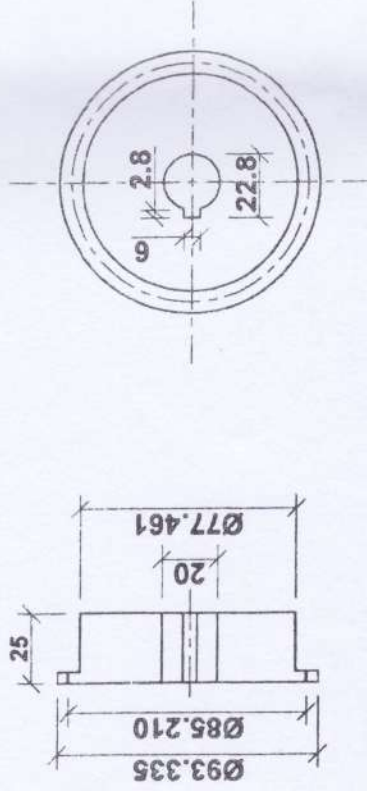
SPROCKET DETAIL - (8-16)

Material - STRUCTURAL STEEL

Quantity - 1 number

25 T ROPE DRUM HOIST OF POWER
INTAKE GATE OF KANUPUR DAM
GATON PROJECT - ENERGY

Annexure - 2
(A)



Sprocket details

No of teeth - 24

pitch - 12.7 mm

PCD - 85.21 mm.

SPROCKET DETAIL - (8-17)

Material = STRUCTURAL STEEL

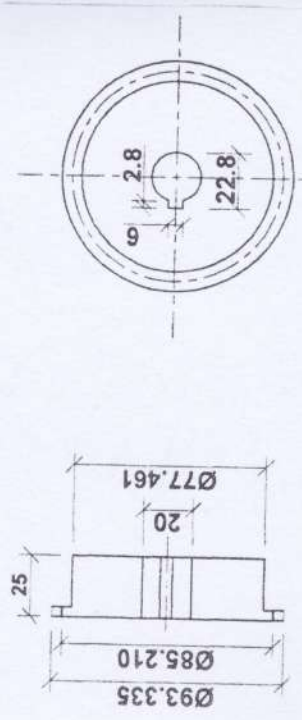
Quantity = 2 numbers

SET ROPE DRUM HOIST OF POWER
INTAKE GATE OF KANPUR TRIP
TON PROJECT. (SERVISE GATE)

Amphur
20

Sprocket details

No. of teeth - 21
pitch - 12.7mm
PCD - 85.21mm



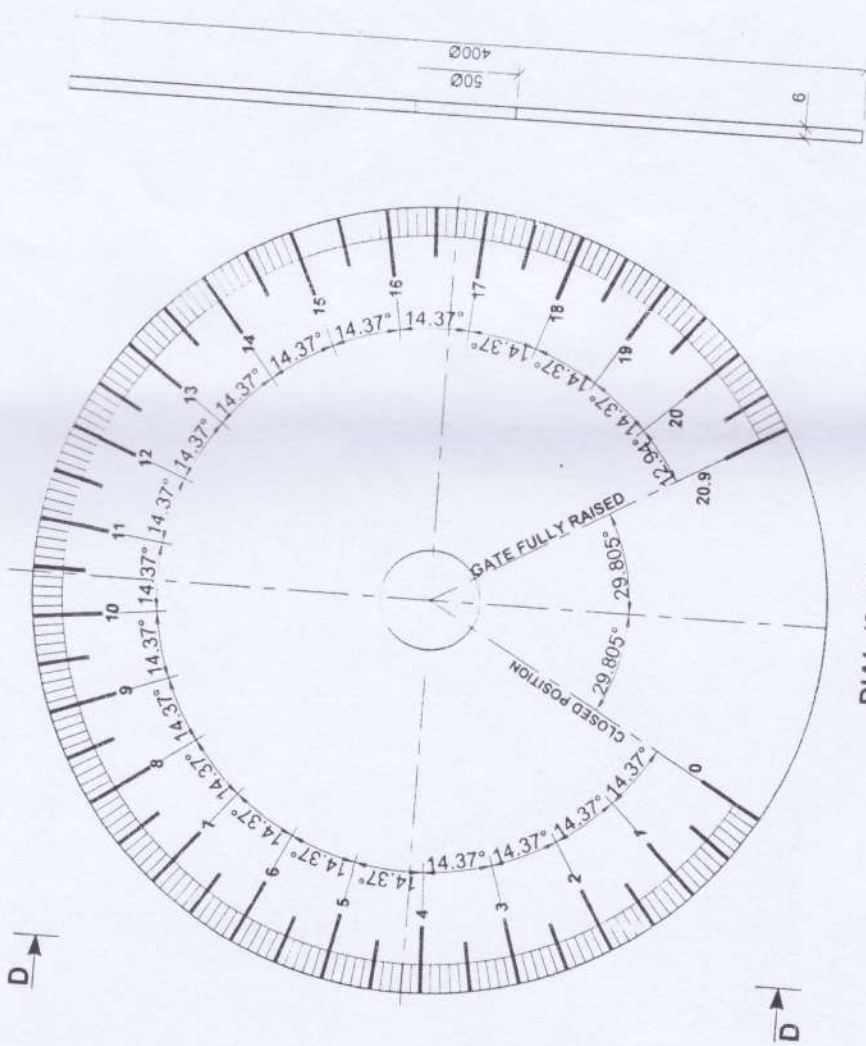
SPROCKET DETAIL - (8-17)

Material - STRUCTURAL STEEL
QUANTITY - 1 number

25 T ROPE DROM HOIST OF PO
ER INTAKE GATE OF KANUPUR
DRPDGATION PROJECT. CEMERGE

Amrutha - 3

(8)



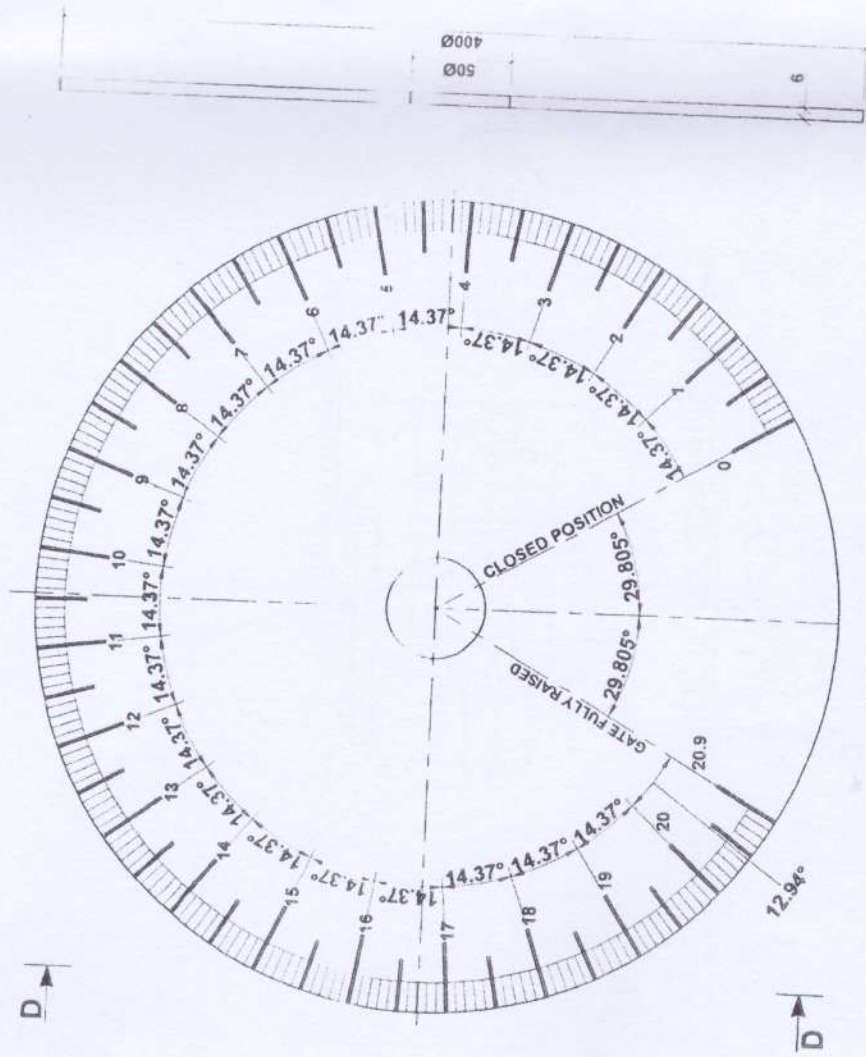
DIAL (8-21)

MARKING ARE TO BE ENGRAVED

Material: Brass / P.S. 410
 Quantity: 1 number

25 T ROPE DRUM HOIST OF POWER
 INTAKE GATE OF KANUPUR TRAD-
 GATON PROJECT. (SERVICE GATE)

3
Manufacture



DIAL (8-21)

MARKING ARE TO BE ENGRAVED

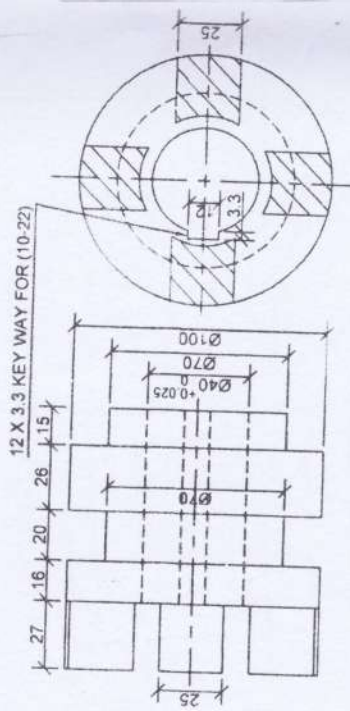
VIEW - DD

QUANTITY - 1 number

MATERIAL - BRASS OF IS: 410

25 T ROPE DROM. HOIST OF POWER INTAK
GATE OF KANUPUR IRRIGATION PROJECT

Annexure - 1
(A)

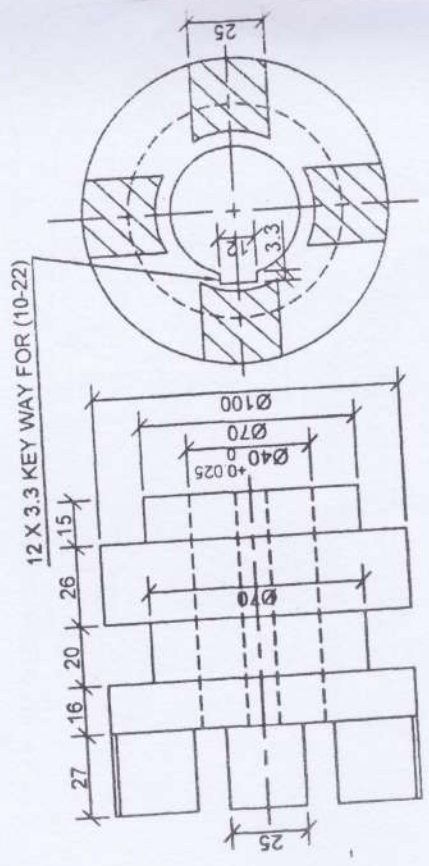


DOG CLUTCH (SLIDING) (10-4)

Material - STRUCTURAL STEEL
Quantity - 1 number

NOTE - (10-22) - PARALLEL KEY 12 X 8 X 220 LONG,
OF DS: 2048.

(B)
 Attachment



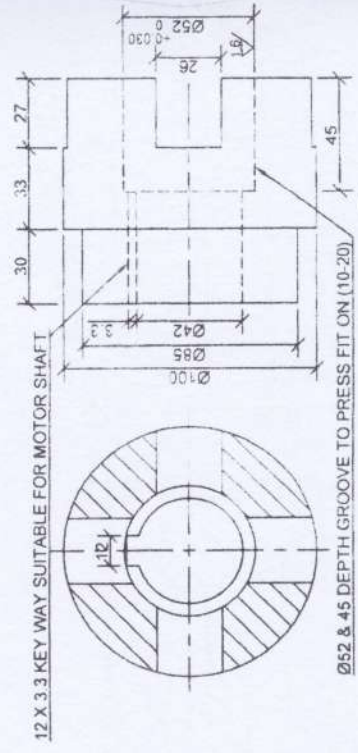
DOG CLUTCH (SLIDING) (10-4)

Quantity - 1 number
 Material - STRUCTURAL STEEL

NOTE - (10-22) - PARALLEL KEY
 A12 X 8 X 220 LONG
 OF DC: 2098

257 ROPE DROM HOIST, OF POWER INTAKE
 GATE OF RANIPUR IRRIGATION PROJECT
 (EMERGENCY GATE)

Amruteshwar S.
 (A)



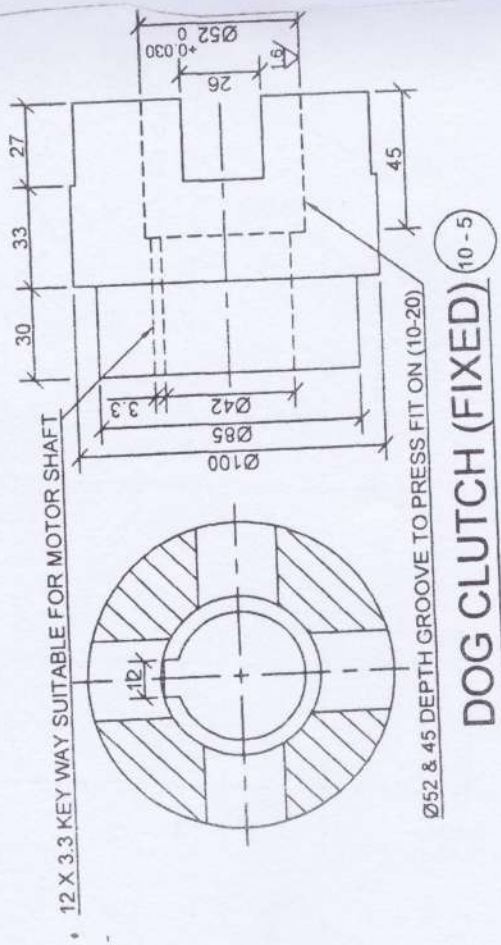
DOG CLUTCH (FIXED) (10-5)

Material - STRUCTURAL STEEL
 Quantity - 1 number

NOTE: (10-20) - SELF ALIGNING BALL BEARING SKF 2205 - 2RS1 OR EQUIVALENT.

25 T ROPE DRUM HOIST OF POWER INTAKE GATE OF KANUPUR DAM ON PROJECT - (SERVE GATE)

Amrinder Singh
 (S)

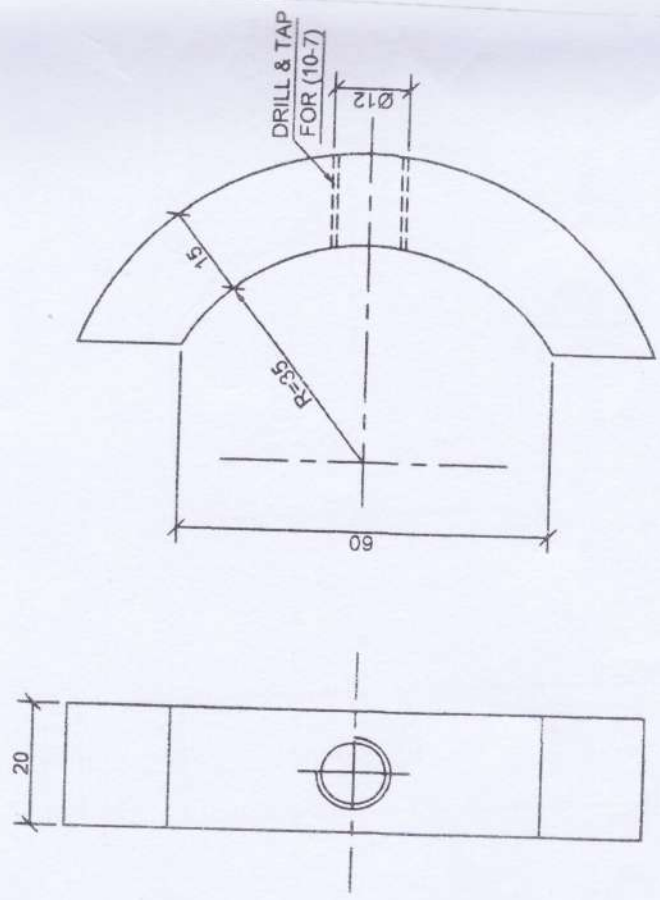


Material - STRUCTURAL STEEL
 Quantity - 1 number

NOTE - (10-20) - SELF ALIGNING
 BALL BEARING
 SKF 2205-2RS1 OR

25T ROPE DRUM HUB OF POWER
 INTAKE GATE OF KANUPUR DRADGAT.
 DCN PROJECT. CEMERGENV GATE

Annexure - 6
(C)



SLIDER BUSH (10-6)

MATERIAL - BRASS

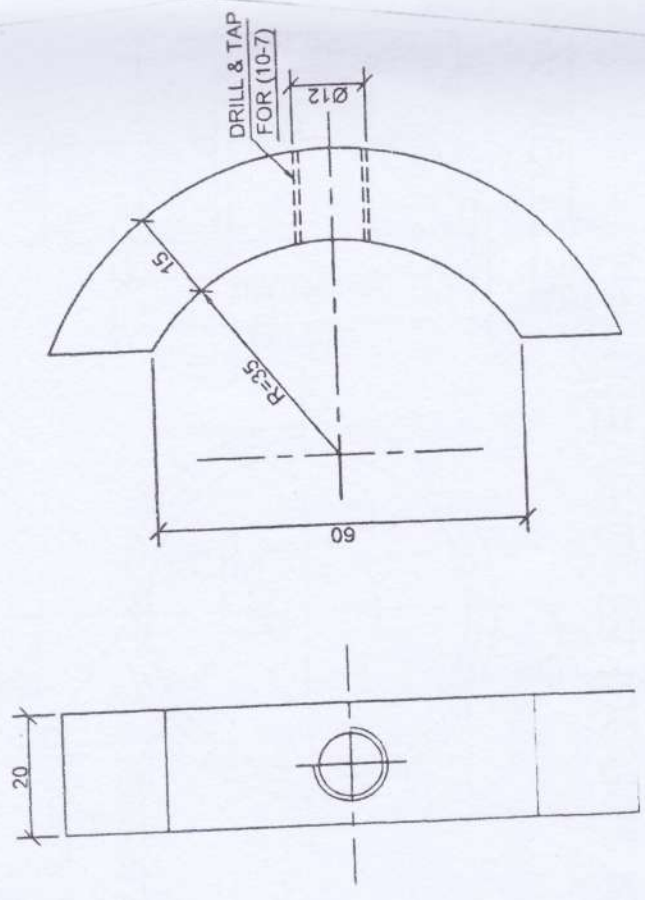
IS-410

Quantity - 2 numbers

NOTE - (10-7) - PIN FOR SLIDER BUSH.

25T ROPE DRUM FIRST OF POWER
INTAKE GATE OF KANUPUR IRRIGA

★ Handwritten
(CB)

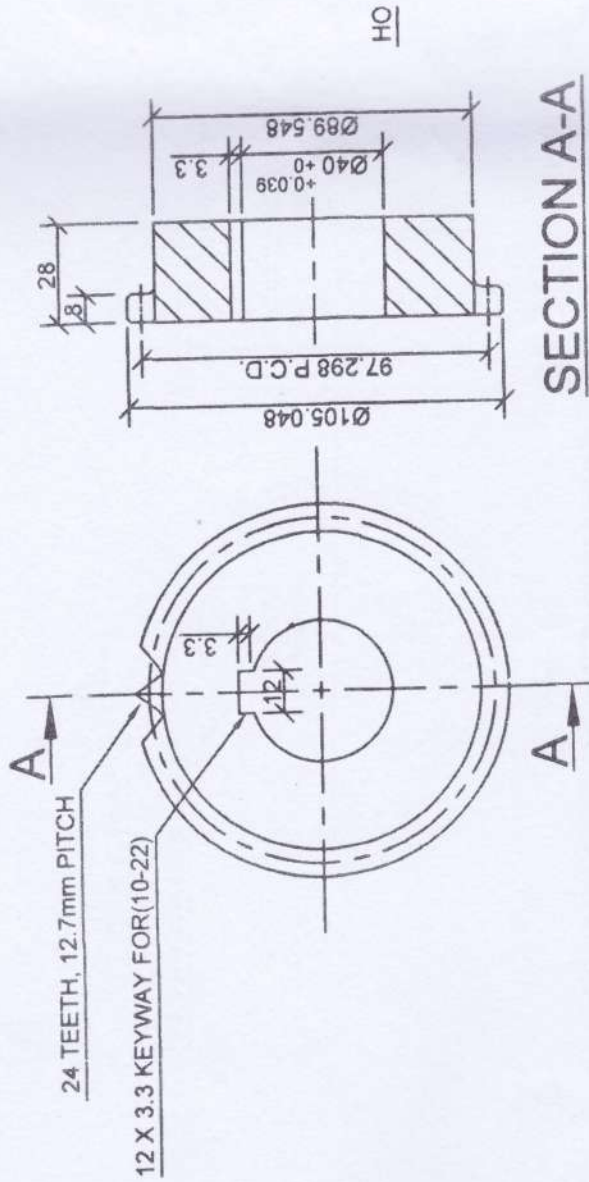


SLIDER BUSH (10-6) - Quantity - 2 numbers
MATERIAL - BRASS P.S. 410

NOTE - (10-7) - PEN FOR SLIDER BUSH

25 T ROPE DROM HOIST OF POWER
INTAKE GATE OF KANUROR IRRIGATION
PROJECT - (EMERGENCY GATE)

Annexure-7
(A)



10-13

CHAIN SPROCKET (DRIVEN)

SPECIFICATION :-
 MATERIAL - CAST STEEL/STR STEEL
 PITCH - 12.7 FOR CHAIN 084-1 OF IS:2403
 NOS. OF TEETH = 24

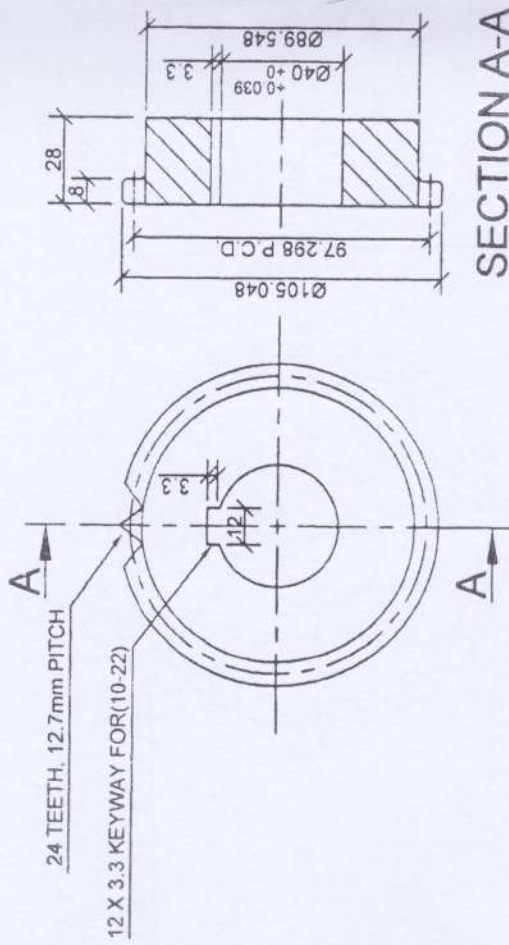
Quantity = 2 number

NOTE :- (10-22) - PARALLEL KEY A12 X 8 X 22
 LONGY OF IS: 2048.

SECTION A-A

GET ROPE DRUM-HOIST OF POWER
 INTAKE GATE OF KANPUR DRUG
 ATDON PROJECT. (SERVICE GATE)

Amrinder Singh
(20)



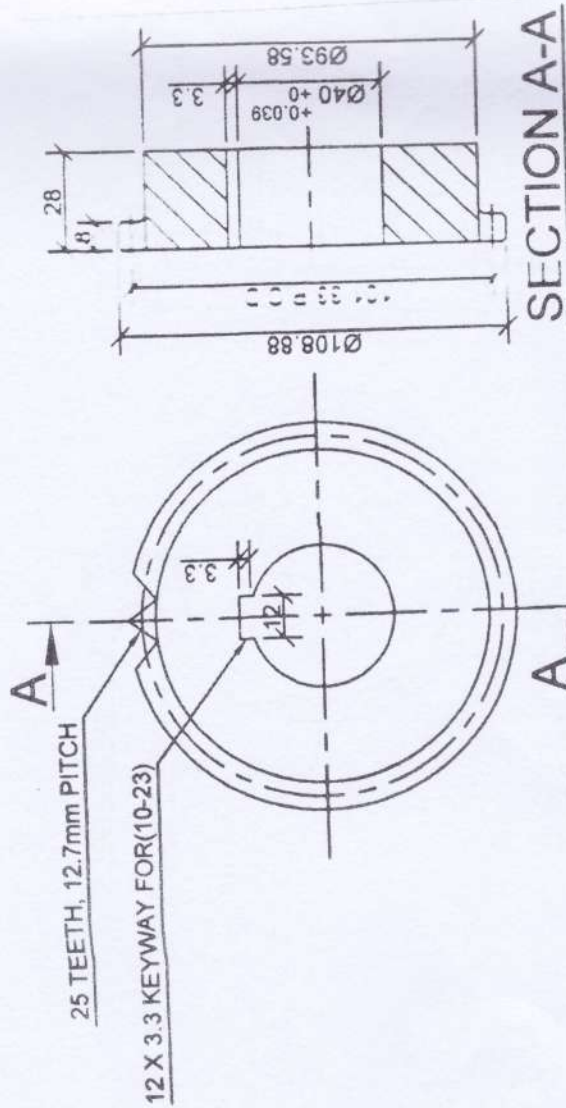
SPECIFICATION :-
MATERIAL - CAST STEEL/STR STEEL
PITCH - 12.7 FOR CHAIN 084-1 OF IS:2403
NOS. OF TEETH = 24

Quantity - 1 number

NOTE - (10-22) - PARALLEL KEY 9
1/2 X 5 X 220 LONG
OF DS:2048.

25 T ROPE DRUM HOIST: OF POWER INTAKE
GATE OF RANIPUR IRRIGATION PROJECT
EMERGENCY RATE

Amruth & (P)



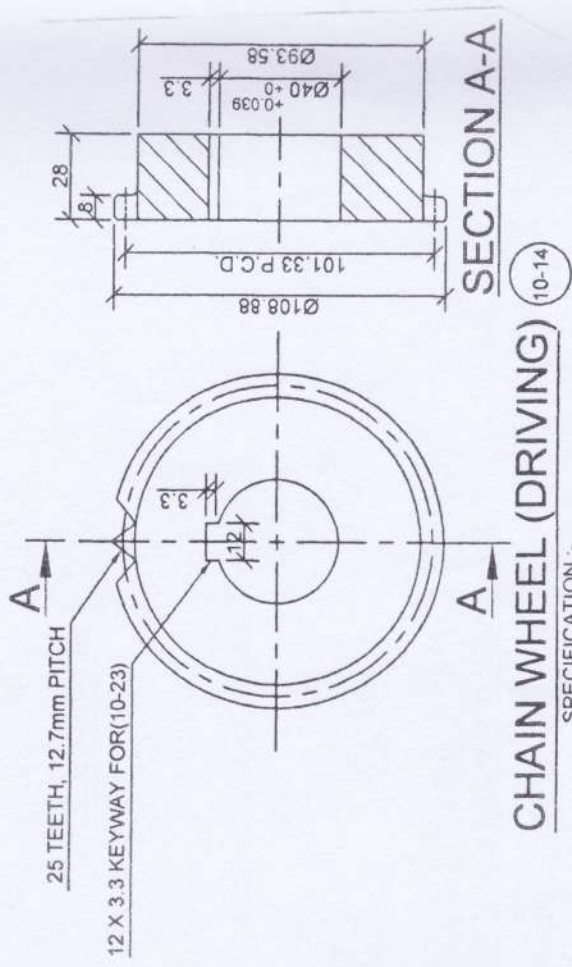
CHAIN WHEEL (DRIVING) (10-14)

SPECIFICATION:-
MATERIAL - CAST STEEL/STR STEEL
PITCH - 12.7 FOR CHAIN 084-1 OF IS:2403
NOS. OF TEETH = 25

Quantity - 1 number

25 T Rope DRUM HOIST OF POI
INTAKE GATE OF KANOPUR IRR
ATPON PROJECT. (SERVICE GATE)

Am...
CB)



CHAIN WHEEL (DRIVING)

10-14

SPECIFICATION :-

MATERIAL - CAST STEEL/STR STEEL
PITCH - 12.7 FOR CHAIN 084-1 OF IS:2403
NOS. OF TEETH = 25

Quantity - 1 number

257 ROPE DRUM HOIST OF POWER
INTAKE GATE OF KANUPUR DR.
DGAIPON PROJECT, CFMP/PC/01/04