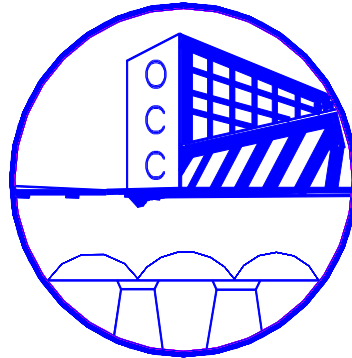


ODISHA CONSTRUCTION CORPORATION LTD.

(A GOVERNMENT OF ODISHA UNDERTAKING)

**Central Store & Machinery Project,
Unit-VIII, Gopabandhu Nagar
BHUBANESWAR – 751012 (ODISHA)**



DESIGNED TO EXCEL

TENDER DOCUMENT

Tender call notice No. 67/OCC/CST-04/Works/997/2025, dated 03.04.2025

Name of Work :

**SUPPLY, FABRICATION, ERECTION, PAINTING OF GEAR BOX COVERS AND
CENTRAL DRIVE COVERS OF HEAD REGULATOR SERVICE & EMERGENCY
GATES OF KANUPUR IRRIGATION PROJECT, BASUDEVPUR, DIST-KEONJHAR.**

(This tender document contains 18 (Eighteen) sheets including this cover page)

Signature of tenderer or his/their power of
attorney holder with date, full name,
designation and official seal

Senior Manager(Mech.),
OCCL, CENTRAL STORE & MACHINERY
PROJECT, UNIT-VIII, Bhubaneswar –
751012 (Odisha)

Particulars of tender document

ODISHA CONSTRUCTION CORPORATION LTD.

(A GOVERNMENT OF ODISHA UNDERTAKING)

**Central Store & Machinery Project, Unit-VIII,
Gopabandhu Nagar, BHUBANESWAR – 751012 (ODISHA)**

Date of issue of tender document :

Tender call notice No. 67/OCC/CST-04/Works/997/2025

Issued in favour of :
(Full name & address)

Telephone No. – Land line :

Mobile :

Enlistment No. of Job-Worker :

Vide money receipt No. :

Dated :

Issued by
(Stamp and signature of issuing officer)

Cost of tender paper (Non-refundable)

Rs.4000.00/-+(GST@18%)Rs.720.00=4720.00
(Rupees four thousand seven hundred twenty)only
by hand & postal charges of Rs.100/- =4820.00
(Rupees four thousand eight hundred twenty)only by
Registered post/Speed post.

Signature of tenderer or his/their power of
attorney holder with date, full name,
designation and official seal

Senior Manager(Mech.),
OCCL, CENTRAL STORE & MACHINERY
PROJECT, UNIT-VIII, Bhubaneswar –
751012 (Odisha)

ODISHA CONSTRUCTION CORPORATION LTD.

(A GOVERNMENT OF ODISHA UNDERTAKING)

Central Store & Machinery Project, Unit-VIII, Gopabandhu Nagar,
BHUBANESWAR – 751012 (ODISHA)

Tender call notice No. 67/OCC/CST-04/Works/997/2025, dated 03.04.2025

Name of work : **Supply, Fabrication, Erection, Painting of Gear Box Covers and Central Drive Covers of Head Regulator Service & Emergency Gates of Kanupur Irrigation Project, Basudevpur, Dist-Keonjhar.**

1. On behalf of M/s Odisha Construction Corporation Ltd. ("OCCL"), the Senior Manager (Mech.), CENTRAL STORE & MACHINERY PROJECT, UNIT-VIII, Bhubaneswar-751012 (Odisha) invites tenders from the enlisted job-workers of "OCCL" in M-IV grade and above for the following work(s). If not enlisted, agency is to get enlisted in OCC Ltd. as M-IV grade and above class of Job-Worker mandatory before finalization of tender.

Sl. No.	Name of the work	Cost of tender document + CGST @ 9%+ SGST @ 9% in Rs.	EMD	Period of completion	Class of Job-worker
1	Supply, Fabrication, Erection, Painting of Gear Box Covers and Central Drive Covers of Head Regulator Service & Emergency Gates of Kanupur Irrigation Project, Basudevpur, Dist-Keonjhar	4,720/- (Non-refundable)	Rs.8000/-	02 (Two) months	M-IV & above. If not enlisted, agency is to get enlisted in OCC Ltd. as M-IV grade and above class of Job-Worker mandatory before finalization of tender

2. The tender document may be downloaded from OCCL website www.odishaconstruction.com from date 03.04.2025 at 10:30 AM to date 15.04.2025 upto 3:00 PM for the work "SUPPLY, FABRICATION, ERECTION, PAINTING OF GEAR BOX COVERS AND CENTRAL DRIVE COVERS OF HEAD REGULATOR SERVICE & EMERGENCY GATES OF KANUPUR IRRIGATION PROJECT, BASUDEVPUR, DIST-KEONJHAR" and non-refundable cost of tender document amounting to Rs.4,720/- (Rupees four thousand seven hundred twenty) only inclusive of CGST @ 9% & SGST @ 9% in shape of Account Payee Demand Draft drawn on any nationalized/scheduled bank payable at Bhubaneswar only in favour of **Odisha Construction Corporation Ltd.-Project Account** may be deposited along with the tender. Interested tenderers may obtain further information, if any, from the undersigned.
3. The tender document must contain EMD amounting to Rs. 8,000/- (Rupees eight thousand) only in shape of N.S.C. / Post Office Saving Bank Account/Post Office Time Deposit Account / Kisan Vikas Patra / Bank Guarantee / TDR / Fixed Deposit in favour of Odisha Construction Corporation Limited Project Account, Bhubaneswar from any Nationalised/ Scheduled Bank in India counter guaranteed by it's local branch at Bhubaneswar /e-Bank Guarantee executed on the National e-Governance Services Limited(NeSL) Digital Document Execution Portal.
4. Tender document received without cost of tender paper & EMD shall be out rightly rejected.

Signature of tenderer or his/their power of attorney holder with date, full name, designation and official seal

Senior Manager(Mech.),
OCCL, CENTRAL STORE & MACHINERY
PROJECT, UNIT-VIII, Bhubaneswar –
751012 (Odisha)

5. **The SSI/NSIC/MSME units participating in tender are not entitled for exemption from payment of Tender Paper costs as communicated vide DOWR Letter No. IIM-24/ 2018-14318/WR dated 24.05.2018 & Head Office, OCCL Letter No.5502/OCC/ CW-02/09(Vol-V)(WE) dated 30.05.2018.**
6. The tenders must be submitted to the Senior Manager(Mech.), Odisha Construction Corporation Ltd., CENTRAL STORE & MACHINERY PROJECT, UNIT-VIII, Bhubaneswar-751012 (Odisha) on or before **3.00 PM** on **date 15.04.2025** through Speed Post / Registered Post. It can also be submitted through official mail of Central Store & Machinery Project, Bhubaneswar-12 i.e smmechcsmp@gmail.com in password protected PDF format and the password is to be set by the bidder himself on or before **3:00PM on date 15.04.2025** and will be opened on the same day at **4.00 PM** in the presence of the tenderers, who may like to be present and who had send their tender through official e-mail they may send the password of the PDF at the time of the opening of tender. If there will be a public holiday on the last date of sale of tender document and receipt & opening of the tenders as specified above, the tender document will be sold and tenders will be received & opened on the next working day at the same time and venue. OCCL will not be held responsible for any kind of postal delay/ non-receipt of E-mail. Documents received through post or E-mail after stipulated date and time will not be considered.
7. Intending tenderers are required to furnish the following documents along with their tenders.
- (i) Cost of tender document duly signed & stamped on each page.
 - (ii) Copy of valid GST registration certificate.
 - (iii) Copy of PAN card.
 - (iv) Copy of document indicating residential address.
 - (v) Undertaking in prescribed format available in the tender document.
 - (vi) Copy of valid enlistment certificate of job-worker in Grade M - IV and above issued by "OCCL".
 - (vii) The Job worker will have to produce enlisted certificate issued by "OCCL" before finalization of tender.
 - (viii) Complete tender document duly filled-in and signed on each page by the tenderer or his/their power of attorney holder with date, full name, designation and official seal.
 - (ix) Annexure-I in place of tender paper cost in prescribed format available in the tender document.
8. The intending bidder has to quote rates in enclosed blank price schedule format only.
9. The successful bidder shall have to execute the work as per scope of work, relevant drawings, technical specifications, terms and conditions of agreement & direction of Engineer-in-Charge.
10. The authority reserves absolute right to accept or reject any or all tenders without assigning any reason thereof.
11. The authority reserves all the right to increase/ decrease the quantity as and when required without mentioning any reason thereof and the successful bidder will execute the work at the same rate and terms and conditions.
12. Any dispute arising out of this tender or order thereof is to be settled in proper court under the jurisdiction of Odisha High Court at Cuttack or courts under the jurisdiction of Odisha High Court at Bhubaneswar only.
13. The validity of offer should be for a period of 60(Sixty) days from the date of opening of tender. OCC Ltd. may ask further extension of validity if required without any price rise.

Signature of tenderer or his/their power of attorney holder with date, full name, designation and official seal

**Senior Manager(Mech.),
OCCL, CENTRAL STORE & MACHINERY
PROJECT, UNIT-VIII, Bhubaneswar –
751012 (Odisha)**

TENDER PAPER COST AND DOCUMENT DEPOSIT PARTICULARS

1. Cost of Tender Rs. only vide Demand Draft No. _____ in any nationalized bank / scheduled bank _____ Dated _____ issued by _____ Bank, _____ Branch _____
2. EMD of Rs. only in shape of N.S.C. / Post Office Saving Bank Account / Post Office Time Deposit Account / Kisan Vikas Patra / Bank Guarantee in favour of Odisha Construction Corporation Limited, Bhubaneswar from any Nationalised Scheduled Bank in India counter guaranteed by it's local branch at Bhubaneswar / e-Bank Guarantee executed on the National e-Governance Services Limited(NeSL) Digital Document Execution Portal vide No. _____ in Post Office / nationalized bank / scheduled bank _____ Dated _____ issued by _____ Bank, _____ Branch _____
3. GST Registration Certificate
4. P.A.N. card
5. Names of relations in O.C.C. Ltd.
6. Any other documents.

**Signature of tenderer with date and stamp,
Full Name and address of tenderer
with mobile No. & E-mail ID.**

Signature of tenderer or his/their power of attorney holder with date, full name, designation and official seal

Senior Manager(Mech.),
OCCL, CENTRAL STORE & MACHINERY
PROJECT, UNIT-VIII, Bhubaneswar –
751012 (Odisha)

Undertaking of Job-Worker

I / We Shri

(In case of the firm, the name of the proprietor/head of the firm along with the designation & name of firm should be mentioned)

S/o Sri _____, Permanent resident of
Vill./Street - _____, P.O. - _____, P.S.- _____
Via - _____, Dist. - _____
State - _____, PIN - _____

declare that I/We have thoroughly gone through the tender document and I/We know the sites of works. I/We agree to work at rates quoted by me/us or at settled rates and abide by the terms and conditions of the tender document.

**Full Signature of "Tenderer" with date and seal
Present address for correspondence**

**Signature of tenderer or his/their power of
attorney holder with date, full name,
designation and official seal**

**Senior Manager(Mech.),
OCCL, CENTRAL STORE & MACHINERY
PROJECT, UNIT-VIII, Bhubaneswar –
751012 (Odisha)**

SCOPE OF WORKS

Scope of job-worker :

- 1) The Job-Worker will provide all required steel materials (HR Sheet of TATA/ SAIL, make of 2mm thick of IS: 5986 for gear box covers and central drive covers as per drawings, technical / non-technical / skilled workmen for execution of the fabrication work, shifting of fabricated jobs, transported to the work site.
- 2) The Job-worker has to provide all required machinery, tools & tackles, all consumables like electrodes of ESAB make, gases, paints and its accessories required for painting, nut & bolts etc. for fabricated items at his own cost.
- 3) Paints of make: ASIAN/ BERGER/ JOTUN shall be supplied by the Job-worker.
- 4) He will carry out required machining works of the individual part (as per drawings / List) at his own cost.
- 5) He will supply all bought-out items for the work as per requirement.
- 6) He will fabricate all fabricated items at CENTRAL STORE & MACHINERY PROJECT, UNIT-VIII, Bhubaneswar.
- 7) The covers shall be received by OCCL after weighment of each one. However the materials such as HR sheets, electrodes, paints are to be inspected & certified by the Senior Manager-in-charge of the work for use in the jobs.
- 8) The items listed above / price schedule for the work are only indicative. There may be deletion/ addition in the items / quantity as per necessity. The job worker shall execute the items as per drawings, technical specifications & direction of Engineer-in-charge.
- 9) The job-worker shall have to execute the painting work of fabricated materials with surface preparation by manual cleaning, wire brushing including labour charges, painting accessories, machinery required for painting work as per IS:14177:1994 & instructions of the Engineer-in-Charge. Over the prepared surface paint by 2(two) coats of Zinc Phosphate primer giving minimum dry film thickness of 40±5 microns per coat and 2(two) coats of Aluminium paint to give a dry film thickness of 25±5 microns per coat are to be applied with an interval of 24 hours between each coat. Total dry film thickness of all the coats including primer coat shall not less than 130 microns.
- 10) Rectification if required to the jobs shall be taken up by the Job workers at his own cost at site of work i.e. Kanupur Irrigation Project, Basudevpur, Dist-Keonjhar.

Signature of tenderer or his/their power of attorney holder with date, full name, designation and official seal

**Senior Manager(Mech.),
OCCL, CENTRAL STORE & MACHINERY
PROJECT, UNIT-VIII, Bhubaneswar –
751012 (Odisha)**

- 11) The loading and unloading of fabricated items at Central Store & Machinery Project, Unit-III, Bhubaneswar as well as at work site of Kanupur Irrigation Project, Basudevpur, Dist-Keonjhar will be borne by the Job-worker.
- 12) Hydra crane if required at work site of Kanupur Irrigation Project, Basudevpur, Dist-Keonjhar will be borne by the Job-worker.

Scope of OCCL:

- 1) OCCL will supply electricity for fabrication work at CENTRAL STORE & MACHINERY PROJECT, UNIT-VIII, Bhubaneswar. But the Job worker will arrange power supply at work site of Kanupur Irrigation Project, Basudevpur, Dist-Keonjhar.
- 2) Transportation of fabricated items to work site of Kanupur Irrigation Project, Basudevpur, Dist-Keonjhar will be borne by OCCL.

The decision of the Engineer-in-Charge regarding scope of work of the Job-Worker shall be final and binding on him. The Job-Worker will execute the items in the price schedule for the work as per direction of Engineer-in-Charge or his authorized representative.

Signature of tenderer or his/their power of attorney holder with date, full name, designation and official seal

**Senior Manager(Mech.),
OCCL, CENTRAL STORE & MACHINERY
PROJECT, UNIT-VIII, Bhubaneswar –
751012 (Odisha)**

TERMS AND CONDITIONS

1. The fabricated materials shall be fabricated by the job worker as per drawings provided by the Corporation at Central Store & Machinery Project, Unit-VIII, Gopabandhu Nagar, Bhubaneswar.
2. The Job workers have to complete the job in time as stipulated by the Corporation.
3. The job shall be delivered after weighing of each unit.
4. The Engineer-in-Charge will supervise and respect to all stages of fabrication, painting and erection.
5. OCCL will provide 01 no. 3 phase MIG welding machine for welding of gear box covers & central drive covers at fabrication unit of Central Store & Machinery Project. The cost of the consumable as well as CO₂ gas will be deducted from the bill of the Job-worker.

Signature of tenderer or his/their power of attorney holder with date, full name, designation and official seal

**Senior Manager(Mech.),
OCCL, CENTRAL STORE & MACHINERY
PROJECT, UNIT-VIII, Bhubaneswar –
751012 (Odisha)**

GENERAL TERMS AND CONDITIONS

1. DEFINITIONS

(i) **“CORPORATION”** means **“ODISHA CONSTRUCTION CORPORATION LTD. (“OCCL” in short)”** with registered office at Unit-8, Gopabandhunagar, Bhubaneswar – 751 012 (Odisha) represented through its Managing Director or any other officer as designated by the “Corporation” from time to time.

(ii) **“ENGINEER-IN-CHARGE”** means the qualified engineer deployed by the “Corporation” at work site for the work including the Senior Manager(Mech.) Odisha Construction Corporation Ltd., CENTRAL STORE & MACHINERY PROJECT, UNIT-VIII, Bhubaneswar – 751012 (Odisha) or their authorized person”

(ii) **“JOB-WORKER / SUCCESSFUL BIDDER”** means the enlisted person/firm/organisation having men, machinery, materials etc. to execute the work satisfactorily as per scope indicated herein within stipulated period.

(iii) **“CLIENT”** means the State Govt. or Central Govt. organization or any individual from whom “OCCL” has received the work for execution.

2. AGREEMENT

The “Job-Worker” shall enter into an agreement with the “Engineer-in-Charge” in the format on requisite value of stamp paper prescribed for the purpose by the “Corporation” within a stipulated period to be specified by the “Engineer-in-Charge” failing which the work may be awarded in favour of some other agency at the discretion of the “Corporation” and the Job-Worker will be suspended from being eligible for bidding / award of all future contracts of OCCL / Govt. of Odisha for a period of three years from the date of committing such breach.

3. RATE

The rate quoted by the “Job-worker” is to be indicated in Rupees, which shall be valid for the full period of execution or till completion of work whichever is later. No escalation or price variation in whatsoever form shall be entertained. The rates quoted by the “Job-Workers” should be firm for the entire period of execution.

The “Job-Worker” shall quote the rates to complete the works as per specifications inclusive of handling, loading, unloading, shifting, lift, de-lift, taxes, duties, levies, incidental expenses etc. that will be applicable on the work to be executed by him. No claim in this regard in whatsoever form shall be entertained.

4. PAYMENT TERMS

i) Payment shall be made on unit basis as per bill of quantities mentioned in the price schedule for the work.

ii) 80(Eighty)% payment shall be made only after the work at site against submission of bills by the “Job-worker” and verification, acceptance of the items by the “Engineer-in-Charge” & Balance 20(Twenty)% payment shall be made after erection at site.

iii) No advance, price escalation and price adjustment shall be paid for the work. The rates shall remain firm throughout the agreement period.

iv) The payment to the “Job-Worker” shall be limited to the measurements taken basing on actual execution. The “Job-Worker” cannot raise any dispute over the measurements allowed by the “Engineer-in-Charge” for the purpose of payment.

Signature of tenderer or his/their power of attorney holder with date, full name, designation and official seal

Senior Manager(Mech.),
OCCL, CENTRAL STORE & MACHINERY
PROJECT, UNIT-VIII, Bhubaneswar –
751012 (Odisha)

- v) The job-worker will bear the full cost of rectification or replacement of works required as per direction of "Client" or "Engineer-in-Charge".
- vi) Any penalty levied by "Client" on "OCCL" due to delay in work will be borne by the "Job-Worker" in full, if the "Job-Worker" is responsible for delay.

5. INITIAL SECURITY DEPOSIT(ISD)

The "Job-worker" shall deposit Initial Security Deposit (ISD) at the rate of 2(two)% of the work/ agreement value on receipt of letter of intent of work within a period of 7(seven) days from the date of issue but before execution of agreement. After receipt of the full ISD, the EMD received along with the bid shall be returned.

If the "Job-worker" desires, the EMD can be converted to ISD and the balance amount of ISD has to be deposited. If the "Job-worker" fails to deposit such initial security within the stipulated date, the EMD of the "Job-worker" shall be forfeited and the work may be awarded in favour of some other agency at the discretion of the "Corporation". The ISD will be released after completion of the work and settlement of the final bill of the "Job-worker".

6. SECURITY DEPOSIT

The Security Deposit (SD) at the rate of 5(Five)% shall be deducted on the gross amount(excluding GST) of each bill of the "Job-worker". The security will be released after 06(six) months of completion of the work or settlement of final bill of the "Job-worker", whichever is latter, if no defect in the work is noticed and material account as well as all disputes including compliance of labour rules, ESI rules etc. are settled. This Deposit/ Retention amount may be withdrawn against submission of equivalent amount of Bank Guarantee issued by a secured Nationalised/ Scheuled Bank.

7. WITH HELD AMOUNT FOR EPF, FPF AND ESI DUES

2 (Two)% shall be deducted and kept withheld from R.A. bills of the "Job-Worker" towards EPF, FPF and ESI dues. If the "Job-Worker" produces clearance in support of deposit of EPF, FPF and ESI dues with the concerned authority within 3(Three) months from the end of each financial year, the above-withheld amount shall be released. Otherwise, the "Corporation" shall deposit the same with Provident Fund Authority and ESI Authority, Defects, if any, shall be recovered from the "Job-Worker".

8. INCOME TAX, GST, OTHER TAXES, DUTIES, LEVIES ETC,

Income tax at the prevailing rate from time to time will be deducted from each bill of the "Job-Worker" and shall be deposited with Income Tax Authorities. The Job-Worker have to quote the percentage rate excluding GST (Goods and Service Tax).

In case of increase in rates of royalty and taxes or imposition of duties after opening of bids, the same will also be deducted from the bills of the successful bidder(s) and the differential amount of royalty and taxes due to increase in rates/imposition shall be reimbursed to the successful bidder(s) on production of supporting documents in original.

In case of decrease in rates of royalty and taxes after opening of quotations, the same in decreased rates will be deducted from the bills of the Job-Worker and the differential amount of royalty and taxes due to decrease in rates shall also be deducted by "Corporation" from the bills of, which will be retained by the "Corporation".

Signature of tenderer or his/their power of attorney holder with date, full name, designation and official seal

Senior Manager(Mech.),
OCCL, CENTRAL STORE & MACHINERY
PROJECT, UNIT-VIII, Bhubaneswar –
751012 (Odisha)

9. OPTIMUM USE OF MACHINERY, VEHICLES, EQUIPMENTS, TOOLS, TACKLES, CONSUMABLES AND STEEL MATERIALS

The "Job-worker" shall ensure optimum utilization of the plants, machinery, equipments, tools, tackles, consumables, steel materials etc. (If supplied to "Job-worker") and shall not create any hindrance for others. The decision of the "Engineer-in-Charge" regarding the optimum requirement shall be final and binding on the "job-worker".

10. SCRAP STEEL MATERIALS/CUT PIECE RODS

The scrap/dismantled material generated during execution of work shall be the property of the Deptt./ "Corporation". It is the responsibility of the "Job-Worker" to collect and stack them at proper location/locations as per direction of the "Engineer-in-Charge". The "Job- Worker shall be responsible for return of the same. An unaccounted loss of 0.5% shall be allowed. Balance has to be returned to the "Corporation". In case of non-return of the same, the cost as decided by the "Engineer-in-Charge" shall be recovered from the "Job-Worker".

11. INDIAN STANDARDS, DRAWINGS AND SPECIFICATIONS

The work shall be carried with due diligence and in a workman like manner in accordance with relevant Bureau of Indian Standard specifications on the basis of latest approved drawings and technical specifications supplied by "Corporation" in absence of which as per the direction of "Engineer-in-Charge".

The technical specifications in the relevant agreement between the "Corporation" & owner and approved drawings & technical specifications issued by the owner & "Corporation" shall be the basis for execution of work under the agreement. In the absence of approved drawings and technical specifications, the direction of the "Engineer-in-Charge" shall be final and binding on the "Job-Worker".

The "Job-Worker" shall make arrangements to take copies of the approved drawings from the office of the "Engineer-in-Charge" for reference during execution of work.

12. MEASUREMENT OF WORK

The quantity of work executed shall be measured and payment made once in a month or on completion of work or on termination of the agreement, when final measurement will be made and account will be adjusted accordingly. The decision of the "Engineer-in-Charge" regarding the rates, progress, measurement and quality of the work shall be final and binding on the "Job-Worker".

13. SPLITTING UP WORK

No splitting up work shall be made and there may be increase or decrease in the quantity of work mentioned in the tender document without assigning any reason thereof and no claim whatsoever will be entertained on this account. The quantity as per agreement may also increase or decrease as per actuals.

14. PAYMENT TO WORKMEN

The "Job-Worker" should maintain job register and payment rolls of their workmen and get those checked by the "Engineer-in-Charge" or his authorized representative from time to time. The payment to the workers/ supervisory staff shall be made by the "Job-Worker" in the presence of the owner and/or "Engineer-in-Charge" or his authorized representative. The paid pay roll register shall be signed by the "Engineer-in-Charge" or his authorized representative as a token of disbursement. The copies of paid pay roll shall be submitted to the "Engineer-in-Charge" within a period of 7(Seven) days from the date of payment failing which no further payment to the "Job-Worker" shall be released.

Signature of tenderer or his/their power of attorney holder with date, full name, designation and official seal

Senior Manager(Mech.),
OCCL, CENTRAL STORE & MACHINERY
PROJECT, UNIT-VIII, Bhubaneswar –
751012 (Odisha)

15. WORKMEN COMPENSATION

In case of any loss due to accident arising during/in connection with execution of the contract, the "Job-Worker" will pay compensation to his workmen. The "Job-Worker" will be fully responsible for his workmen as per workmen's compensation act and labour laws in force during entire period of execution of contract. In case, the "Job-Worker" fails to do so, the "Corporation" may pay the same and recover the same from the bills/ dues of the "Job- Worker".

16. INFORMATION OF WORKMEN

The "Job-Worker" will make his own arrangements for procurement of labour and shall furnish all information of workmen employed by him like name, father's name, full permanent address, sex and age to the "Engineer-in-Charge" along with the pay.

17. STATUTORY REQUIREMENTS

The "Job-Worker" shall comply all statutory requirements applicable at site of work such as minimum wage act, labour act, factory act, workmen's compensation act, provident fund rules, employee's state insurance rules etc. A certificate to this effect shall be enclosed by the "Job-Worker" with each Running Account Bill for payment.

18. MINIMUM AGE OF WORKMEN

The "Job-Worker" shall not employ any person, who is below the age of 18(Eighteen) years or unfit for the tendered items. The "Engineer-in-Charge shall have right to decide, whether any labour employed by the "Job-Worker" is below the age of 18(Eighteen) years or unfit and refuse to allow any labour, whom he decides to be below the age of 18 years or unfit for any other reason.

19. LABOUR LICENCE

The "Job-Worker" has to obtain valid labour license and maintain all records at his own cost as per the conditions laid down in the labour rules in vogue and amended from time to time.

20. MINIMUM WAGE ACT

The "Job-Worker" shall pay wages of each labour at the rate not less than the wages as per Minimum Wages Act in force and as may be amended from time to time. The "Engineer-in- Charge" has the right to enquire into and decide on any complaint of the Labourers relating to non-payment or less payment of wages to them and his decision will be final and binding on the "Job Worker".

21. NON-PAYMENT OF DUES OF LABOURERS

If the "Job-Worker fails to pay the dues of Labourers engaged by him for this work in time, the same shall be paid by the "Engineer-in-Charge" directly to the deserving workers. The expenditure so incurred on account of non-payment or less payment shall be recovered from the bills or any other dues of the "Job-Worker".

22. PROVIDENT FUND (PF)

Employees Provident Fund, wherever applicable, shall be payable by the "Job-Worker" as per the Provident Fund Rules in force and shall keep the "Corporation" indemnified for it. He should get the registration number for this from the Regional Provident Fund Commissioner, Orissa. He shall produce the records in support of payment of EPF dues to the "Engineer-in-Charge" for check and record by the "Engineer-in-Charge".

Signature of tenderer or his/their power of attorney holder with date, full name, designation and official seal

Senior Manager(Mech.),
OCCL, CENTRAL STORE & MACHINERY
PROJECT, UNIT-VIII, Bhubaneswar –
751012 (Odisha)

23. WORKMEN INSURANCE

The workmen insurance shall be the responsibility of the "Job-Worker". He shall produce the records in support of workmen insurance to the "Engineer-in-Charge" for check and record.

24. IDLE LABOUR

"OCCL" will not be held responsible for idle Labourers of the "Job-Worker" for any reason, whatsoever and no claim on this account will be entertained.

25. WORKING IN SHIFTS

If necessary, the "Job-Worker" may be asked to work in two (2) or 3(three) shifts. Normally, the work shall be executed in shifts. The "Job-Worker" may, if the required, have to engage workmen on overtime to complete the work in scheduled time. The overtime cost shall be borne by the "Job-Worker".

26. CLAIMS AND LIABILITIES

All claims/liabilities etc arising out of Explosives act and labour laws shall be borne by the "Job-Worker" and he shall keep the "Corporation" indemnified against them and also in case of injuries or death of Labourer(s) resulting from accidents during the execution of the work. In case the "Corporation" will have to pay for any such claims under Workmen's Compensation Act, the same shall be adjusted from the pending bills/dues of the "Job- Worker" or shall be recovered otherwise as per law from him.

27. EMPLOYEES STATE INSURANCE SCHEME (ESI)

The Employees State Insurance Scheme (ESI), wherever applicable, shall be payable by the "Job-Worker" as per the ESI Rules in force and shall keep the "Corporation" Indemnified for it. He shall produce the records in support of payment of ESI dues to the "Engineer-in-Charge" for check and record.

28. HUTMENTS/TEMPORARY ACCOMMODATION

The "Job-Worker" has to arrange hutments/temporary accommodation for his own Labourers/workmen at the work site of Saptamatruka (Right Arm) Project at his own cost.

29. SAFETY

The "Job-Worker" should abide by the safety laws and rules of statutory bodies. "Corporation" and owner as per directions of "Engineer-in-Charge" and Safety Officers inspecting from time to time.

30. AUTHORISED PERSON

The "Job-Worker" may in writing authorize his power of attorney holder or any other person to draw materials, avail facilities, and attend measurements etc. during the course of execution of work. All liabilities created by the authorized person of the "Job-Worker" by way of loss of materials drawn, amenities availed, unpaid wages created etc. shall be considered as the liabilities of the "Job-Worker" and such liabilities shall be made good by the "Job-Worker" or it shall be recovered from the bill/payment due to him.

31. BREACH OF CONTRACT

The EMD, security deposit & initial Security Deposit are liable to be forfeited in the event of breach of contract and the agreement shall be terminated. The dues of the "Corporation" including due of labourers/workmen and other statutory payable liabilities payable by the "Corporation" as principal employer shall be cleared by the "Job-Worker". The decision of the "Engineer-in-Charge" in this regard shall be final and binding on the "Job-Worker". The amount remaining as outstanding against the "Job-

Signature of tenderer or his/their power of attorney holder with date, full name, designation and official seal

Senior Manager(Mech.),
OCCL, CENTRAL STORE & MACHINERY
PROJECT, UNIT-VIII, Bhubaneswar –
751012 (Odisha)

Worker” after adjustment of his dues shall be payable by him to “OCCL”. If necessary, legal action may be taken for recovery of the dues of the “Corporation” including labour and statutory dues to be cleared by the “Corporation” as principal employer and “OCCL” reserves the right to recover the payable amount from the “Job-Worker” from works done by his under any other organization or from his properties.

32. TERMINATION OF CONTRACT

The “Engineer-in-Charge” may put an end to the agreement at his option at any time due to (a) Bad workmanship (b) Dis-proportionate progress (c) Non-compliance of labour rules or (d) Any other reason. The decision of the “Engineer-in-Charge” is final in this respect and no claim on this account will be entertained. “OCCL” also reserves the right to take exparte measurements, if the “Job-Worker” does not co-operate in taking final measurements after termination of contract.

33. RESPONSIBILITY OF JOB-WORKER

The work shall be completed by the “Job-Worker” in all respect within the stipulated period of completion and the responsibility of the “Job-Worker” shall cease only, when the items are fully accepted by the owner after erection at project site.

34. PROGRESS OF WORK AND PENALTY

The “Job-Worker” will achieve the desired progress as per program. If the “Job-Worker” fails to achieve the contracted quantity every month as per program, penalty at the following rates shall be imposed.

Sl. No.	Failure percentage(%)	Penalty percentage(%)
(i)	Less than 10(Ten)%	1(One)% of value of defaulted quantity
(ii)	Above10(Ten)% and upto 20(Twenty)%	2(Two)% of value of defaulted quantity
(iii)	Above 20(Twenty)% and upto 30(Thirty)%	5(Five)% of value of defaulted quantity
(iv)	Above 30(Thirty)%	To be asked to demobilise with penalty equivalent to 10(Ten)% of value of defaulted quantity. The “Engineer-in-Charge” will off-load the work and get the work done through any other agency or of its own at the risk and cost of the “Job-Worker”. No claim will be allowed to the “Job-Worker” in this regard.

35. REJECTION DUE TO BAD WORKMANSHIP

The rejection due to bad workmanship shall be charged to the “Job-Worker” at a cost of rejected items plus 20(Twenty) %.

36. TESTING OF WELDERS AND OTHER SKILLED/SEMI-SKILLED WORKMEN

The qualification test of welders and other skilled/semi-skilled workmen may be conducted at site of work by the “Engineer-in-Charge” and only qualified welders and other skilled/semi-skilled workmen shall be deployed for the work. The cost of testing shall be borne by the respective “Job-Worker”.

37. QUALITY ASSURANCE AND QUALITY CONTROL

Quality Assurance/Quality Control Plan shall be prepared before commencement of site activities and shall be followed maintaining stage-wise up-to-date record of the work.

Signature of tenderer or his/their power of attorney holder with date, full name, designation and official seal

Senior Manager(Mech.),
OCCL, CENTRAL STORE & MACHINERY
PROJECT, UNIT-VIII, Bhubaneswar –
751012 (Odisha)

38. DEVIATION OF PROVISIONS IN AGREEMENT

The "Job-Worker" will not vary or deviate from the provisions in the agreement without obtaining prior permission in writing from the "Corporation".

39. RIGHT OF THE "CORPORATION"

The "Corporation" reserves the right to cancel a particular tender call or all tender calls without assigning any reason thereof. The offer of any tenderer or all may be cancelled without assigning any reason thereof. The requirement shown in any tender call notice are only indicative and may vary.

40. SUB-LETTING

The work under any agreement shall not be assigned or sublet to anybody by the "Job Worker". If the "Job-Worker" shall assign or sublet or attempt to do so, the "Engineer-in-Charge" shall terminate the agreement and shall get the work done through any other agency or of its own at the risk and cost of the "Job-Worker". No claim will be allowed to the "Job-Worker" in this regard. "OCCL" reserves the right to have access also to units of the "Job-Worker" to verify, if works are actually executed by him.

41. EXECUTION OF EXTRA ITEMS AND EXTRA QUANTITIES

All extra items are to be executed by the "Job-Worker" at mutually agreed rates. All extra quantities are to be executed at agreement rates. If required, the "Job-Worker" has to furnish the working analysis as per actuals to arrive at the extra items rates.

42. FORCE MAJEURE:

Neither party shall be liable to the other for any loss or damage occasioned by or arising out of acts of God such as unprecedented flood, volcanic eruption, earthquake or other convulsion of nature and other acts such as but not restricted to invasion, the act of foreign countries, hostilities, or war-like operations before or after declaration of war, rebellion, military or uninterrupted power which prevent performance of the contract and which could not be foreseen or avoided by a prudent person.

43. JURISDICTION

For all liabilities created under the various contractual obligations/impositions under this agreement, the "Job-Worker" undertakes not to raise any dispute or litigations in connection there with and shall make all endeavors to resolve all disputes amicably through conciliation and in all such cases, the decision of the Managing Director, "OCCL" shall be final and binding on the "Corporation" as well as on the "Job-Worker" failing which all such disputes arising out of the agreement shall be subject to jurisdiction of Hon'ble High Court of Odisha at Cuttack and their sub-ordinate courts at Bhubaneswar only. Both the parties agree by mutual consent that any dispute relating to this agreement is barred from arbitration.

Signature of tenderer or his/their power of attorney holder with date, full name, designation and official seal

Senior Manager(Mech.),
OCCL, CENTRAL STORE & MACHINERY
PROJECT, UNIT-VIII, Bhubaneswar –
751012 (Odisha)

TECHNICAL SPECIFICATIONS

All fabrication, machining, assembly, painting, transportation works shall be done as per the followings:

- (a) Technical specifications to be issued by “Engineer-in-Charge” from time to time.
- (b) Relevant standards of BIS and other National/International bodies.
- (c) Directions issued by “Engineer-in-Charge” from time to time.

In case of any conflict, the decision of “Engineer-in-Charge” shall be final and binding on the “Job-worker”.

Signature of tenderer or his/their power of attorney holder with date, full name, designation and official seal

**Senior Manager(Mech.),
OCCL, CENTRAL STORE & MACHINERY
PROJECT, UNIT-VIII, Bhubaneswar –
751012 (Odisha)**

ODISHA CONSTRUCTION CORPORATION LIMITED
(A GOVT. OF ODISHA UNDERTAKING)
Central Store & Machinery Project, Unit-VIII
BHUBANESWAR-751012 (ODISHA)

PRICE SCHEDULE

NAME OF THE WORK: "SUPPLY, FABRICATION, ERECTION, PAINTING OF GEAR BOX COVERS AND CENTRAL DRIVE COVERS OF HEAD REGULATOR SERVICE & EMERGENCY GATES OF KANUPUR IRRIGATION PROJECT, BASUDEVPUR, DIST-KEONJHAR"

VIDE Tender call notice No. 67/OCC/CST-04/Works/997/2025, dated 03.04.2025

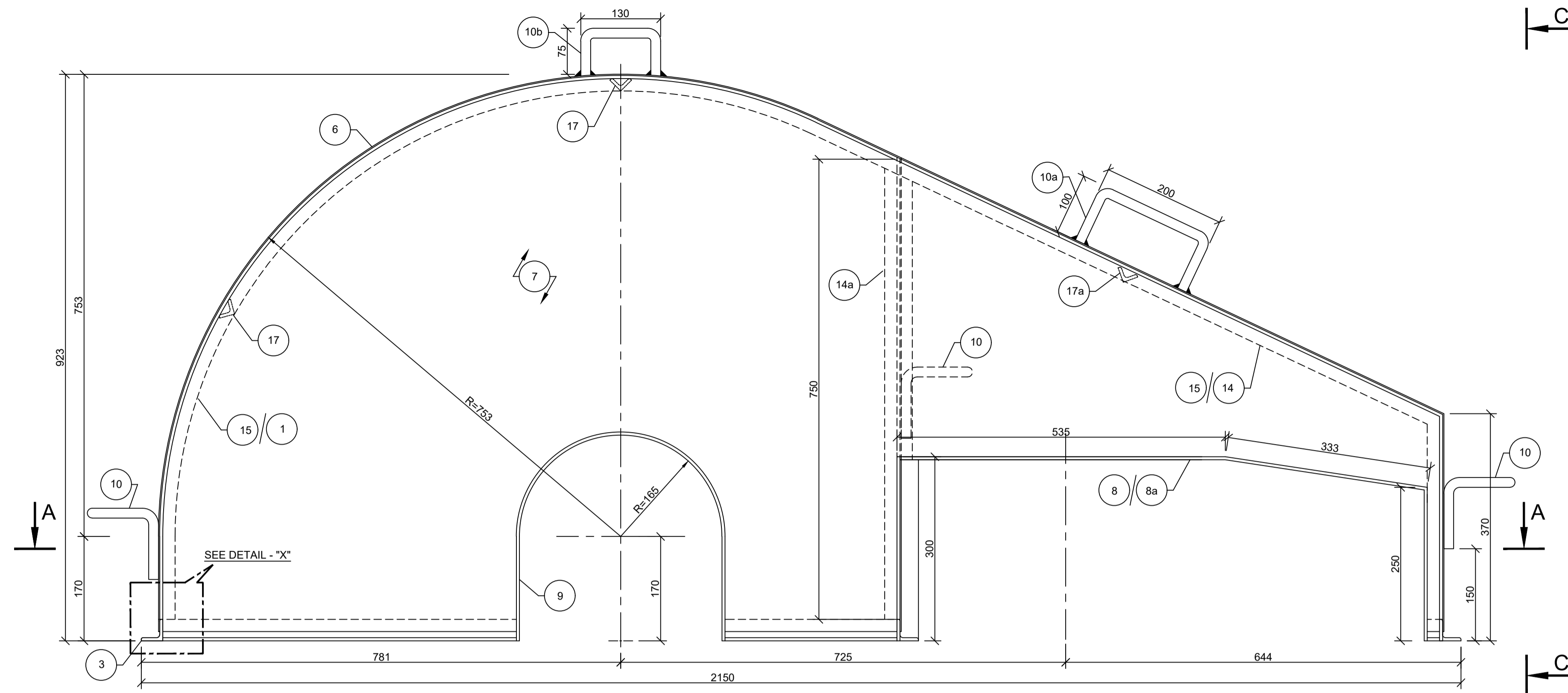
Sl. No	Item Description	Unit	Required quantity in Nos.	Rate per each unit in Rs.	Amount for full quantity in Rs.	Amount for full quantity in words
A	Gear Box Covers					
1	Gear box covers of head regulator service gates as per drawing	Nos.	08 (4L, 4R)			
2	Gear box covers of head regulator emergency gate as per drawing	Nos.	08 (4L, 4R)			
B	Central Drive Covers					
1	Central drive covers of head regulator service gate as per drawing	Nos.	04			
2	Central drive covers of head regulator emergency gate as per drawing	Nos.	04			
Total in Rs.=						

* GST will be paid extra as applicable.

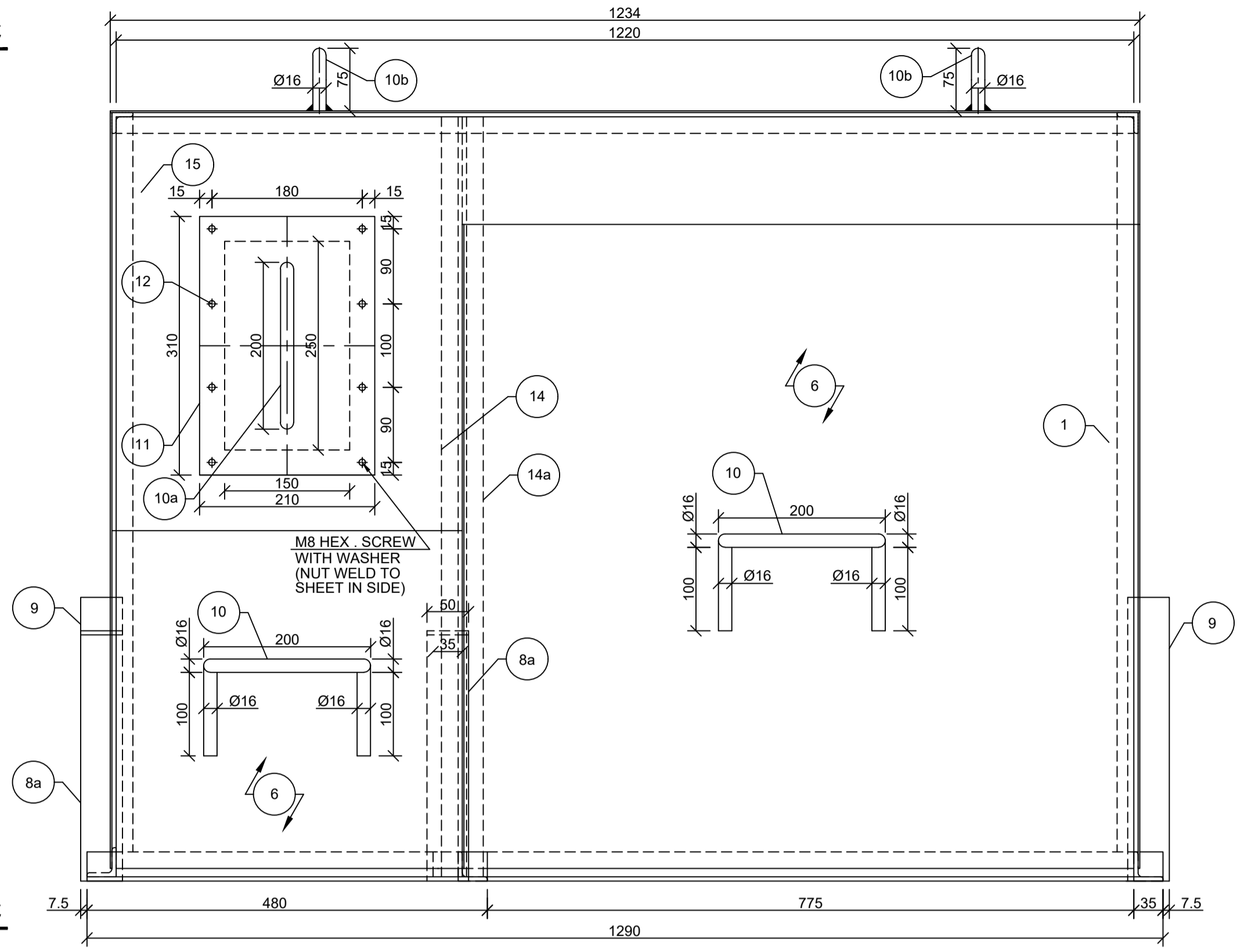
- N.B:-**
- 1) Covers of gear boxes and central drive units shall be fabricated by HR Sheet and other structural steels as per drawing. No deviation will be allowed.
 - 2) The supplier shall furnish their price including the painting works.

Signature of tenderer or his/their power of attorney holder with date, full name, designation and official seal

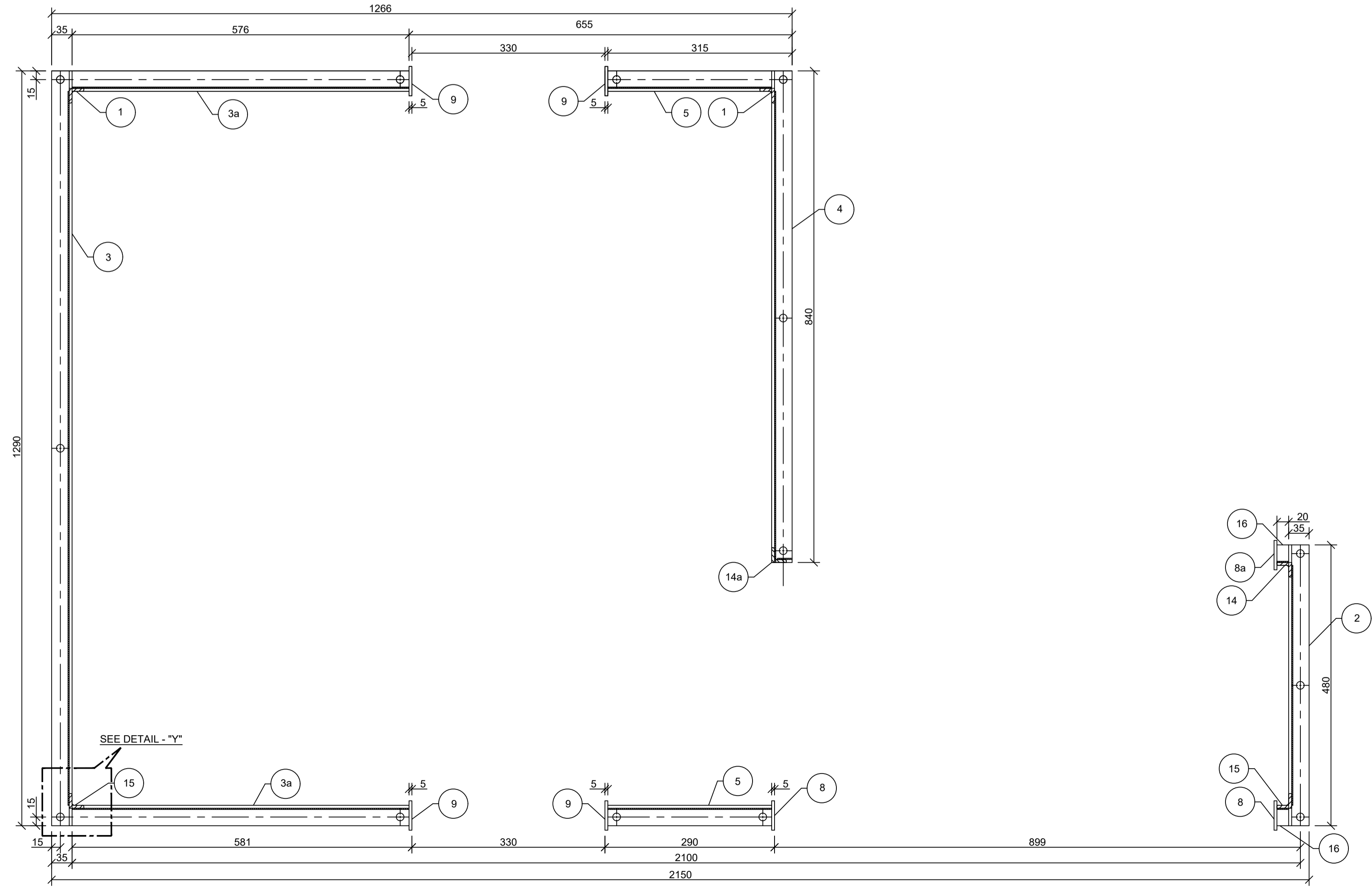
Senior Manager(Mech.),
OCCL, CENTRAL STORE & MACHINERY
PROJECT, UNIT-VIII, Bhubaneswar –
751012 (Odisha)



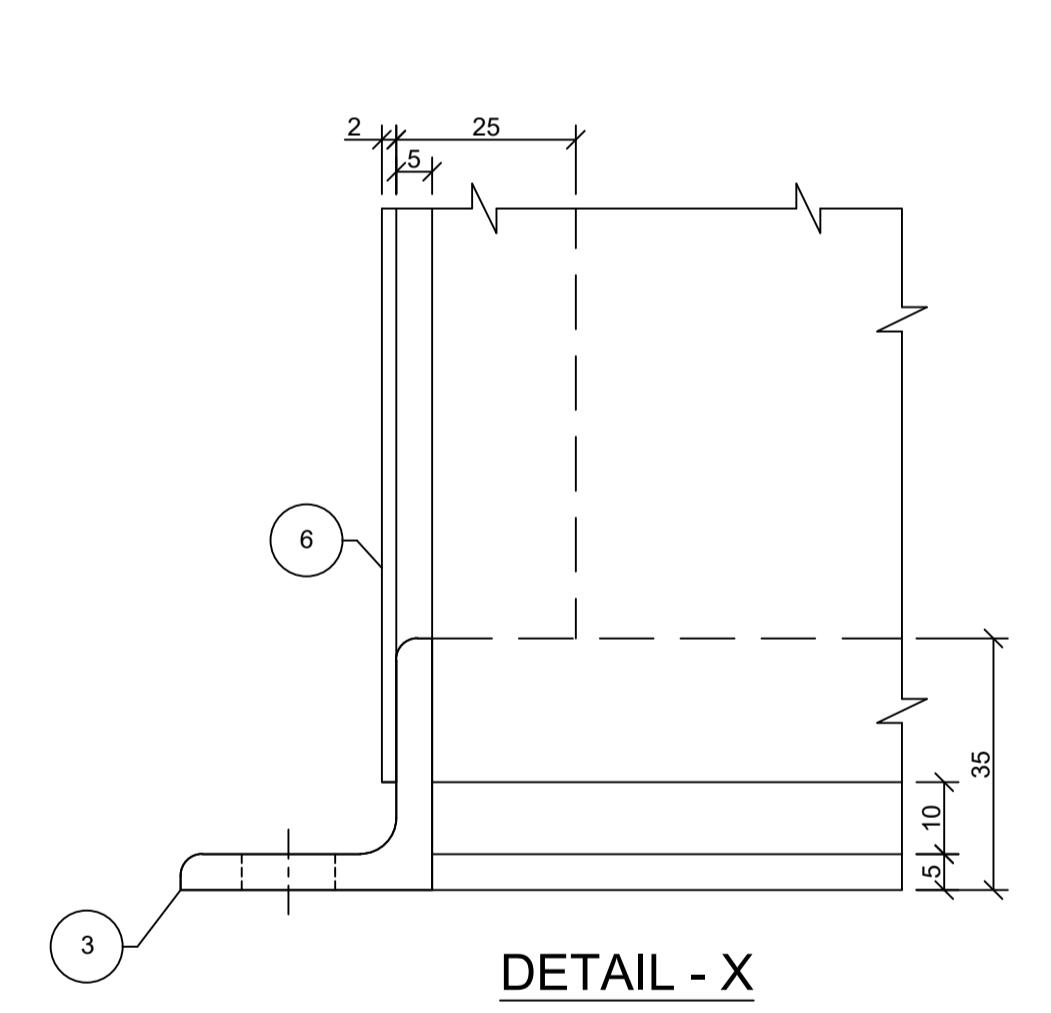
ELEVATION



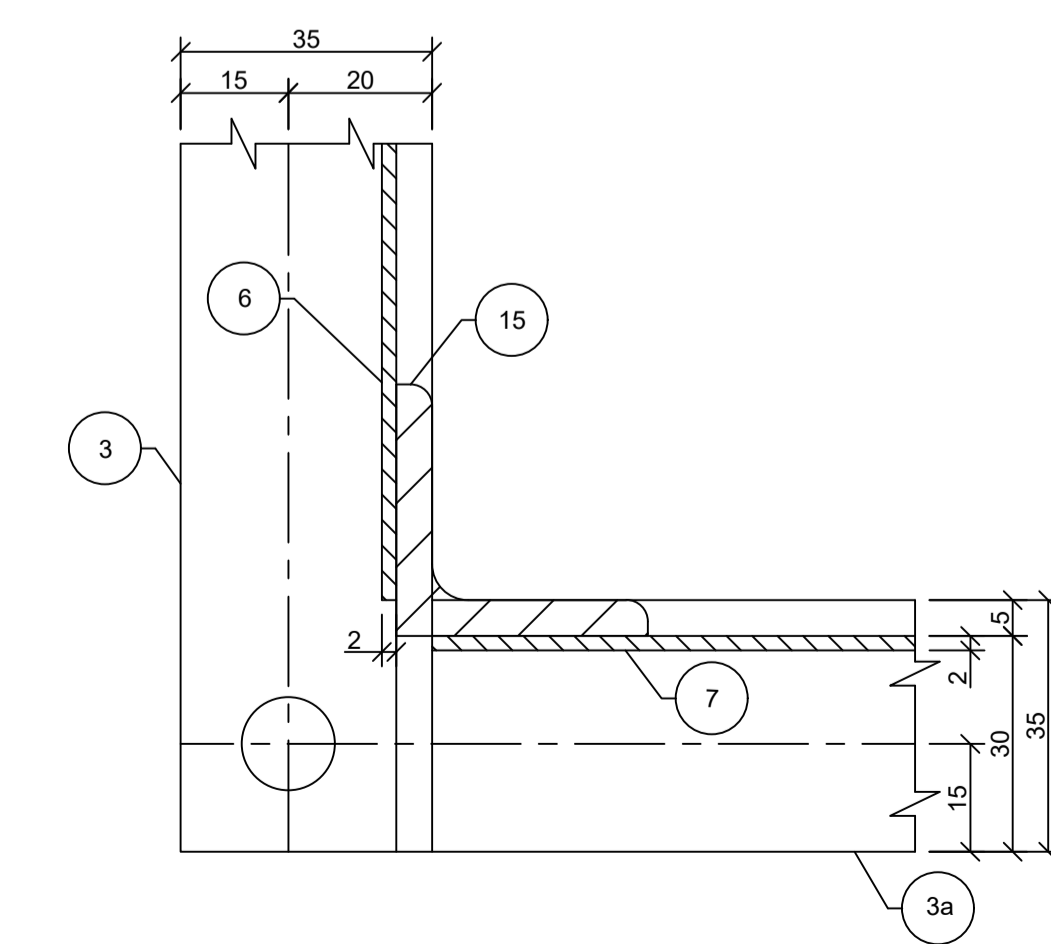
VIEW - CC



SECTION - AA



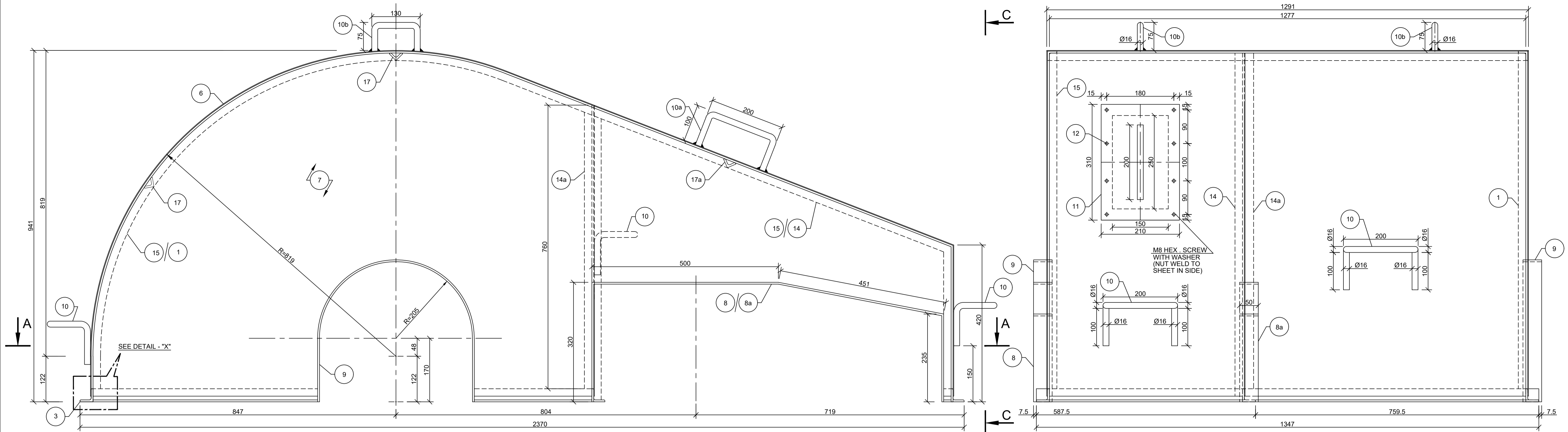
DETAIL - X



DETAIL - Y

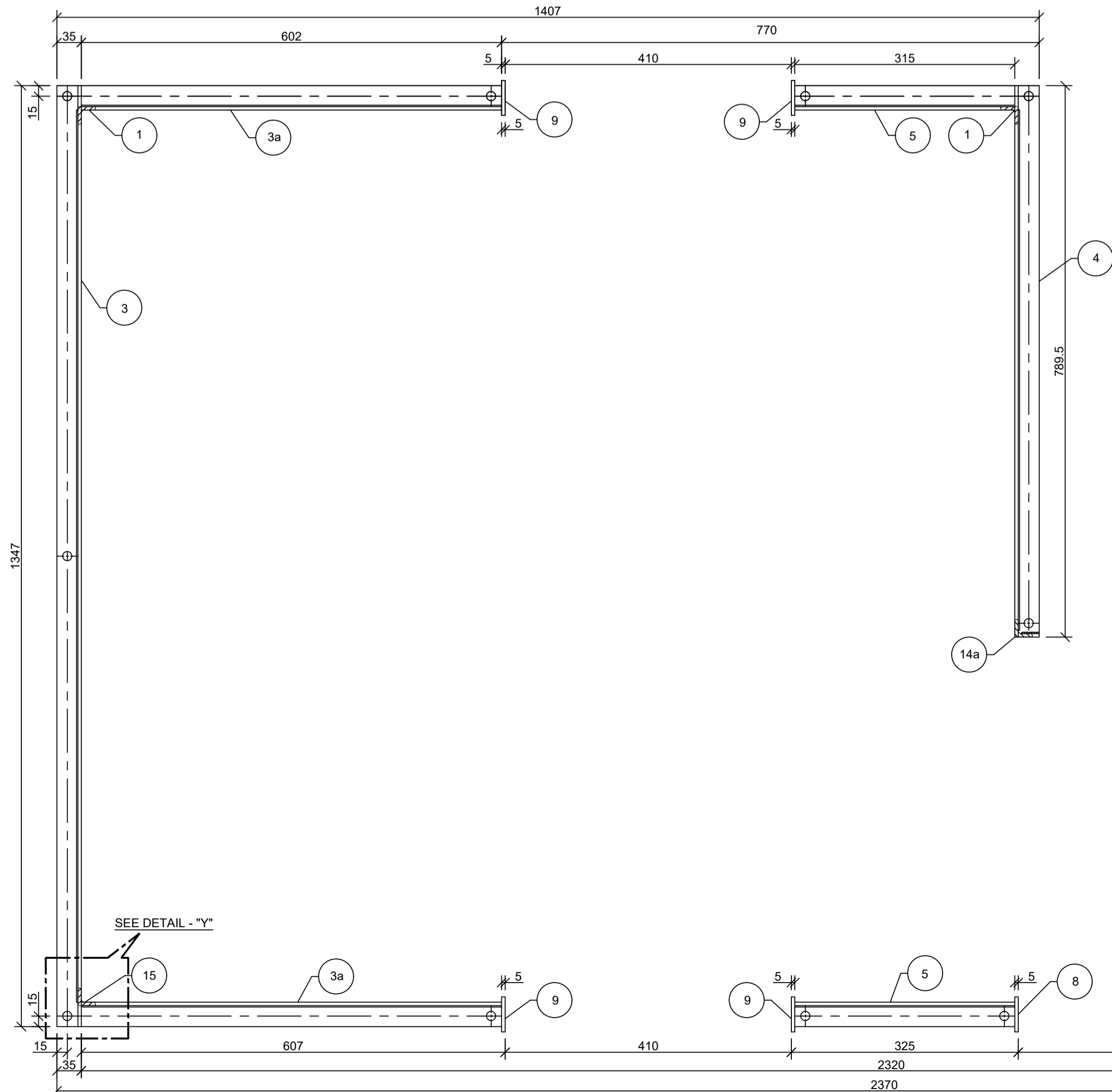
1. PAINTING AREA - 18m² / COVER
2. PROVISION OF ANGLE / CHANNELS AS PER SUITABILITY OF SITE CONDITION SHALL BE KEPT TO SECURE THE GEAR BOX COVER WITH THE GEAR BOX FRAME OF HOIST PLATFORM. M12 BOLTS AS REQUIRED SHALL ALSO BE USED TO SECURE THE COVER WITH THE FRAME.
3. ONE LEFT HAND & ONE RIGHT HAND GEAR BOX COVER SHALL CONSTITUTE ONE SET.
4. TOTAL NOS. OF SETS REQUIRED - 04 (FOUR).

GEAR BOX COVER FOR 2300mm X 2800mm SERVICE GATE FOR HR OF KANUPUR IRRIGATION PROJECT.					
PART NO	DESCRIPTION	NOS	WT IN KGS	MATL	REM
17a	35 X 35 X 5L - 410 LONG	1	1.1	IS:2062	
17	35 X 35 X 5L - 1220 LONG	2	6.4	IS:2062	
16	35 X 35 X 5L - 20 LONG	2	0.11	IS:2062	
15	25 X 25 X 5L - 3108 LONG	1	5.7	IS:2062	B/S
14a	25 X 25 X 5L - 750 LONG	1	1.4	IS:2062	B/S
14	25 X 25 X 5L - 1320 LONG	1	2.4	IS:2062	B/S
13	M12X40 HEX. HEAD BOLT WITH NUT & WASHER	AR		CL 4.6 IS:1367	
12	M8 HEX. SCREW WITH NUT & WASHER	8		CL 4.6 IS:1367	
11	SHEET 310 X 210 X 2	1	1.023	IS:2062	B/S
10b	HANDLE 16Ø 280 LG	2	1.1	IS:2062	B/S
10a	HANDLE 16Ø 400 LG	1	1.0	IS:2062	B/S
10	HANDLE 16Ø 300 LG	3	1.4	IS:2062	B/S
9	FLAT 50 X 5 - 875 LONG	2	3.5	IS:2062	B/S
8a	FLAT 50 X 5 - 1118 LONG	1	2.25	IS:2062	B/S
8	FLAT 50 X 5 - 1418 LONG	1	2.8	IS:2062	B/S
7	SHEET 901 X 2 - 2080 LONG	2	60.0	IS:2062	C/S
6	SHEET 1220 X 2 - 3150 LONG	1	61.0	IS:2062	C/S
5	35 X 35 X 5L - 280 LONG	1	0.8	IS:2062	
4	35 X 35 X 5L - 840 LONG	1	2.2	IS:2062	
3a	35 X 35 X 5L - 576 LONG	2	3.0	IS:2062	
3	35 X 35 X 5L - 1290 LONG	1	3.36	IS:2062	
2	35 X 35 X 5L - 480 LONG	1	1.25	IS:2062	
1	25 X 25 X 5L - 2545 LONG	1	4.6	IS:2062	B/S

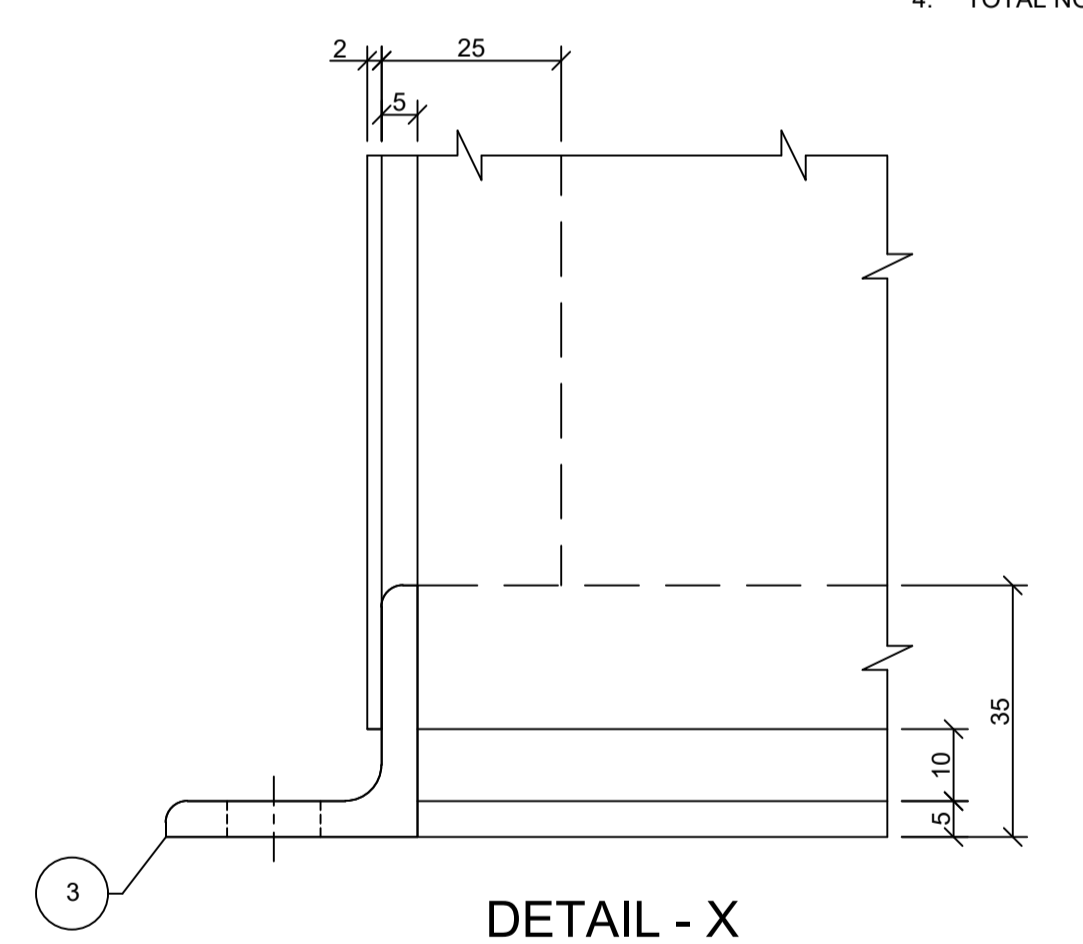


ELEVATION

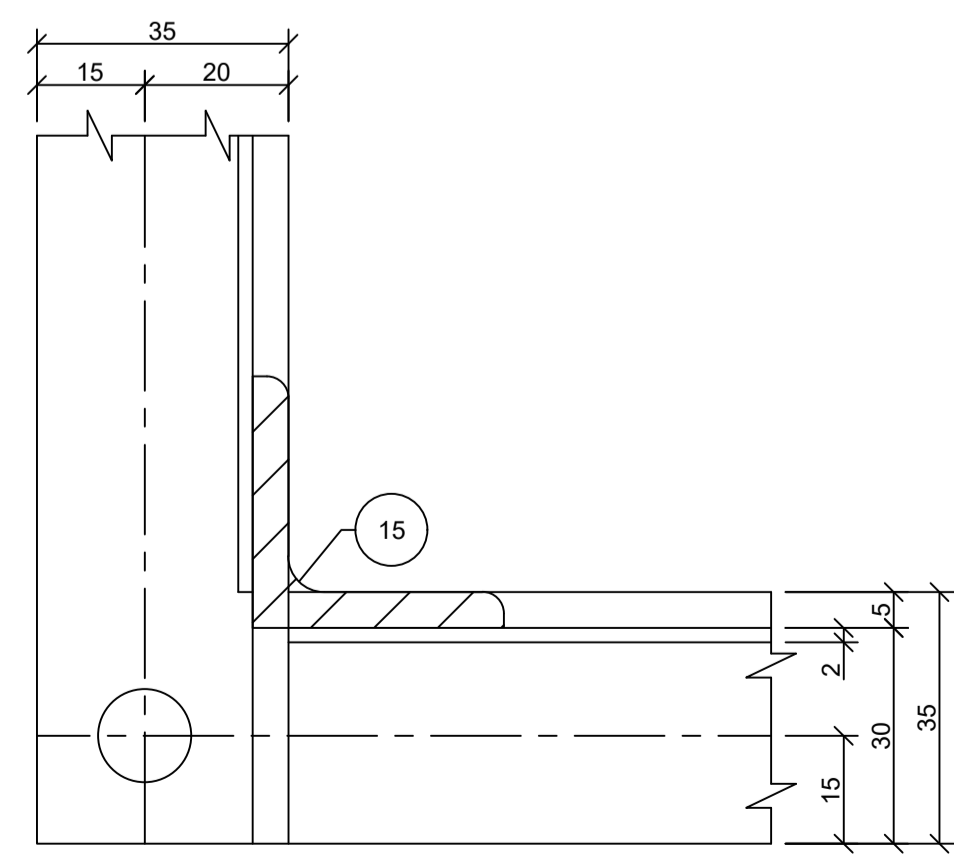
VIEW - CC



SECTION - AA



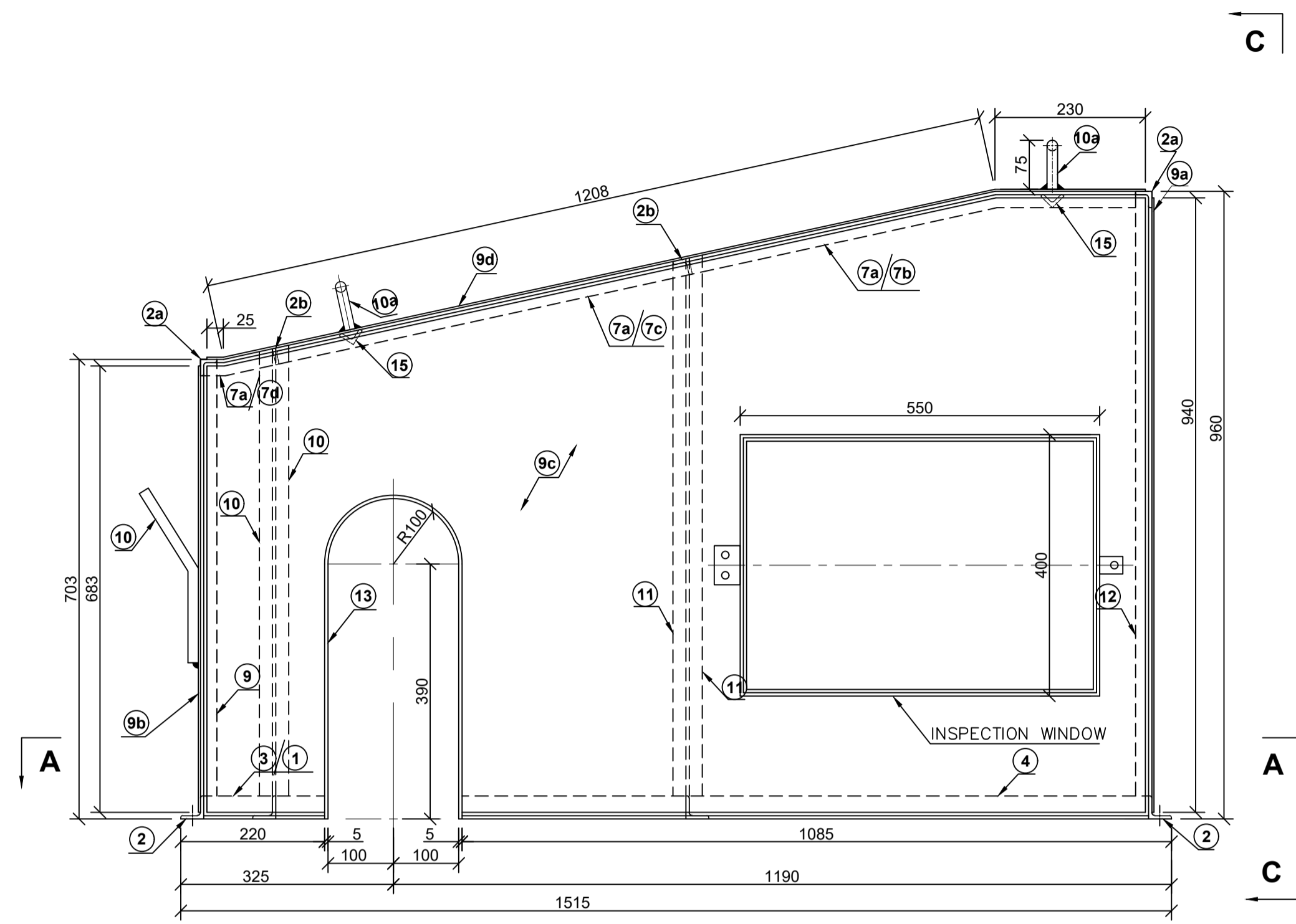
DETAIL - X



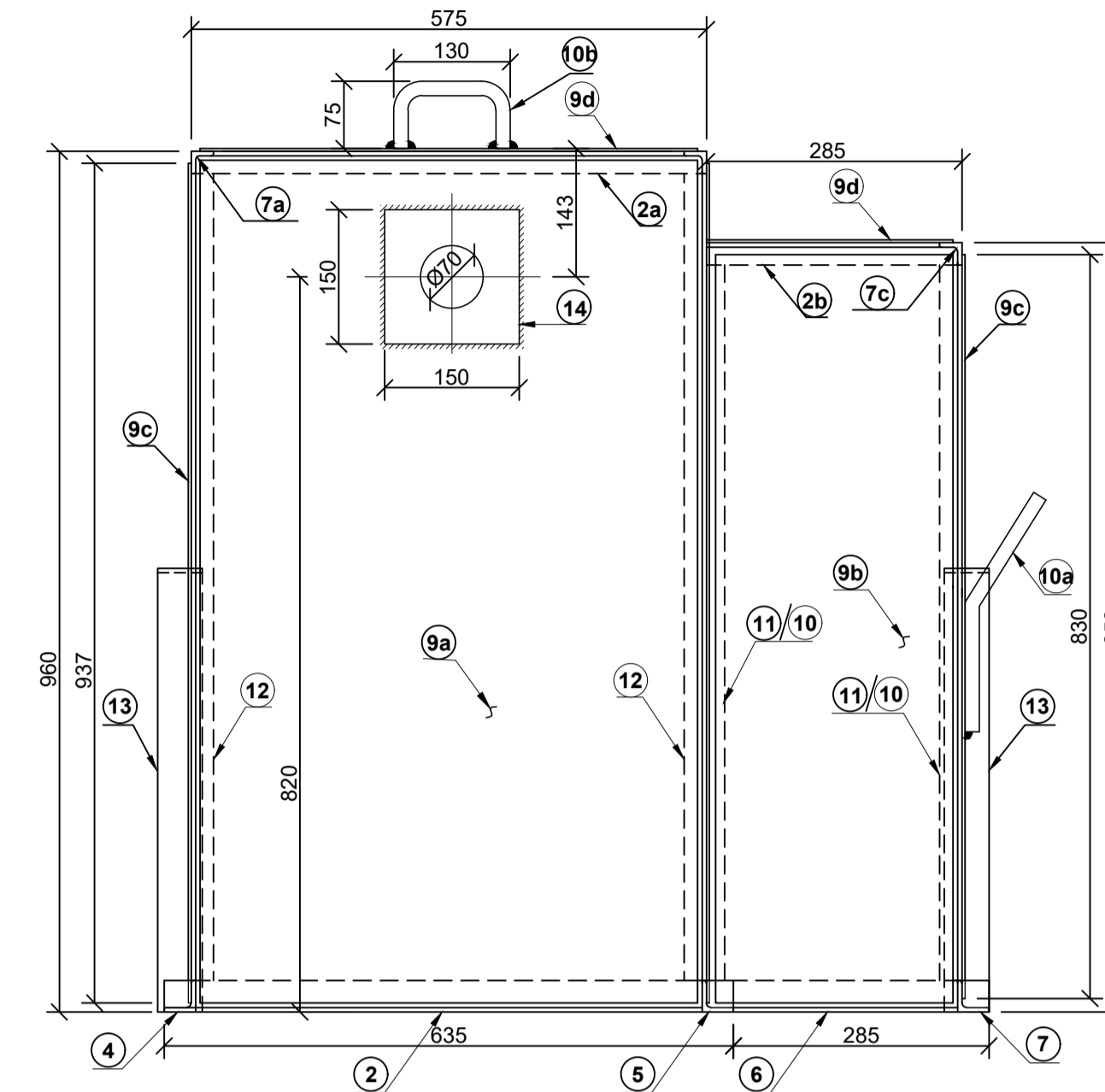
DETAIL - Y

1. PAINTING AREA - 18m² / COVER
2. PROVISION OF ANGLE / CHANNELS AS PER SUITABILITY OF SITE CONDITION SHALL BE KEPT TO SECURE THE GEAR BOX COVER WITH THE GEAR BOX FRAME OF HOIST PLATFORM. M12 BOLTS AS REQUIRED SHALL ALSO BE USED TO SECURE THE COVER WITH THE FRAME.
3. ONE LEFT HAND & ONE RIGHT HAND GEAR BOX COVER SHALL CONSTITUTE ONE SET.
4. TOTAL NOS. OF SETS REQUIRED - 04 (FOUR).

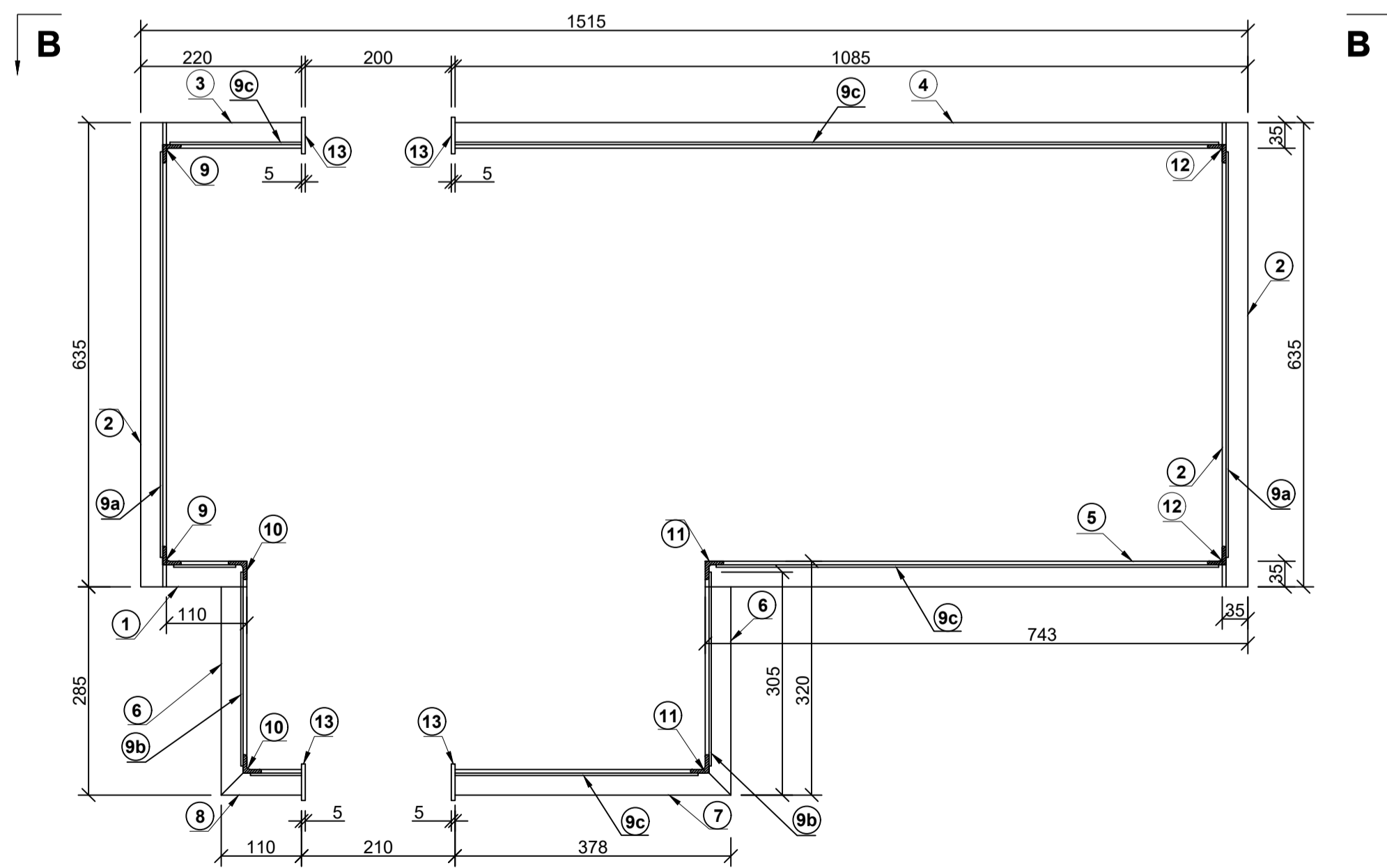
GEAR BOX COVER FOR 2300mm X 2800mm EMERGENCY GATE FOR HR OF KANUPUR IRRIGATION PROJECT					
PART NO	DESCRIPTION	NOS	WT IN KGS	MATL	REM
17a	25 X 25 X 5L - 517.5 LONG	1	0.95	IS:2062	
17	25 X 25 X 5L - 1277 LONG	2	4.6	IS:2062	
16	35 X 35 X 5L - 20 LONG	2	0.11	IS:2062	
15	25 X 25 X 5L - 3343 LONG	1	6.1	IS:2062	B/S
14a	25 X 25 X 5L - 760 LONG	1	1.4	IS:2062	B/S
14	25 X 25 X 5L - 1424 LONG	1	2.6	IS:2062	B/S
13	M12X40 HEX HEAD BOLT WITH NUT & WASHER	AR		CL 4.6 IS:1367	
12	M8 HEX SCREW WITH NUT & WASHER	8		CL 4.6 IS:1367	
11	SHEET 310 X 210 X 2	1	1.023	IS:2062	B/S
10b	HANDLE 16Ø 280 LG	2	1.1	IS:2062	B/S
10a	HANDLE 16Ø 400 LG	1	1.0	IS:2062	B/S
10	HANDLE 16Ø 300 LG	3	1.4	IS:2062	B/S
9	FLAT 50 X 5 - 1000 LONG	2	3.98	IS:2062	B/S
8a	FLAT 50 X 5 - 1186 LONG	1	2.35	IS:2062	B/S
8	FLAT 50 X 5 - 1506 LONG	1	2.98	IS:2062	B/S
7	SHEET 919 X 2 - 2312 LONG	2	66.75	IS:2062	C/S
6	SHEET 1287 X 2 - 3383 LONG	1	68.40	IS:2062	C/S
5	35 X 35 X 5L - 315 LONG	2	1.65	IS:2062	
4	35 X 35 X 5L - 789.5 LONG	1	2.06	IS:2062	
3a	35 X 35 X 5L - 602 LONG	2	3.2	IS:2062	
3	35 X 35 X 5L - 1347 LONG	1	3.52	IS:2062	
2	35 X 35 X 5L - 587.5 LONG	1	1.55	IS:2062	
1	25 X 25 X 5L - 2684 LONG	1	4.90	IS:2062	B/S



ELEVATION (VIEW - BB)



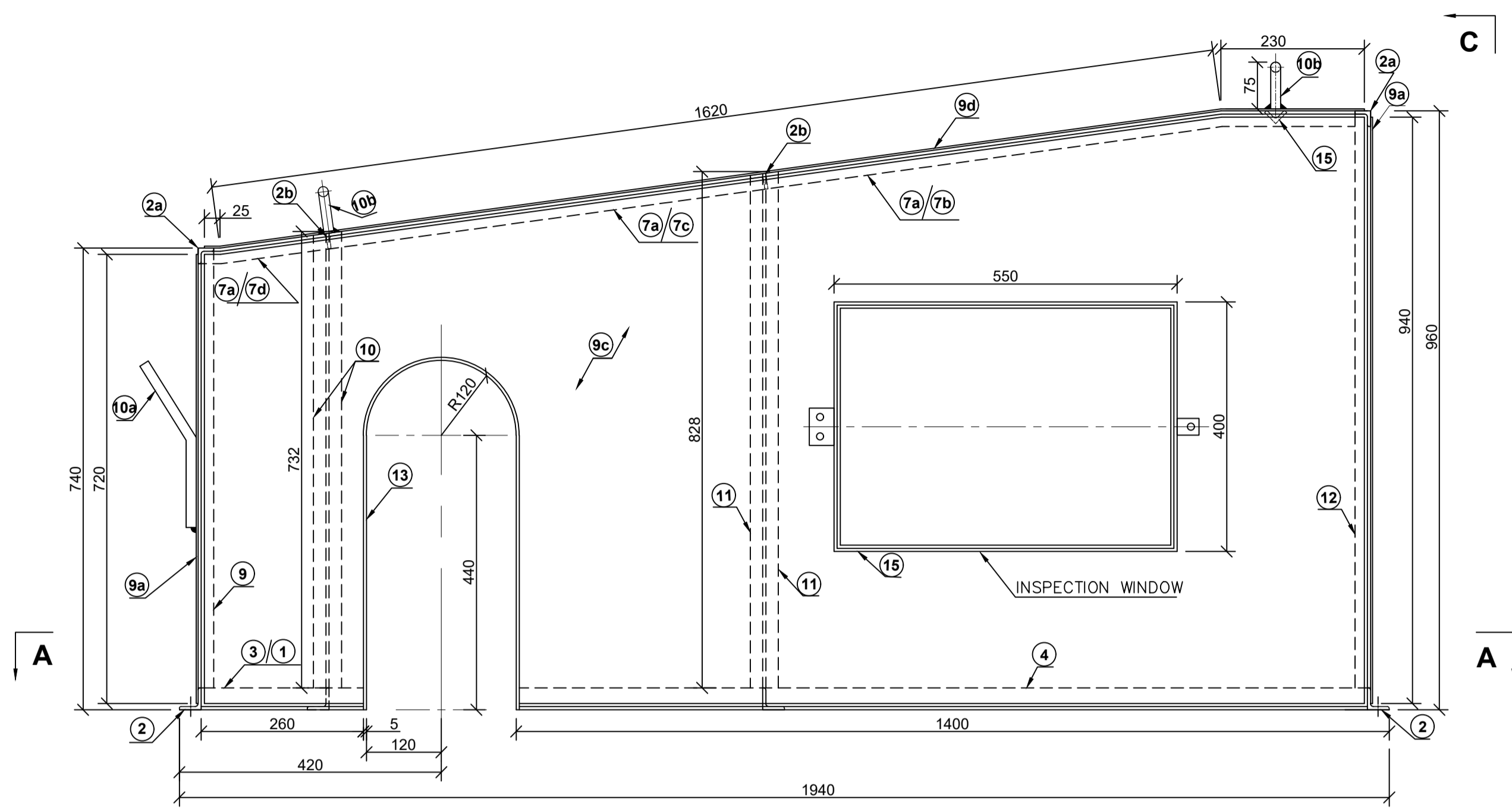
VIEW-CC



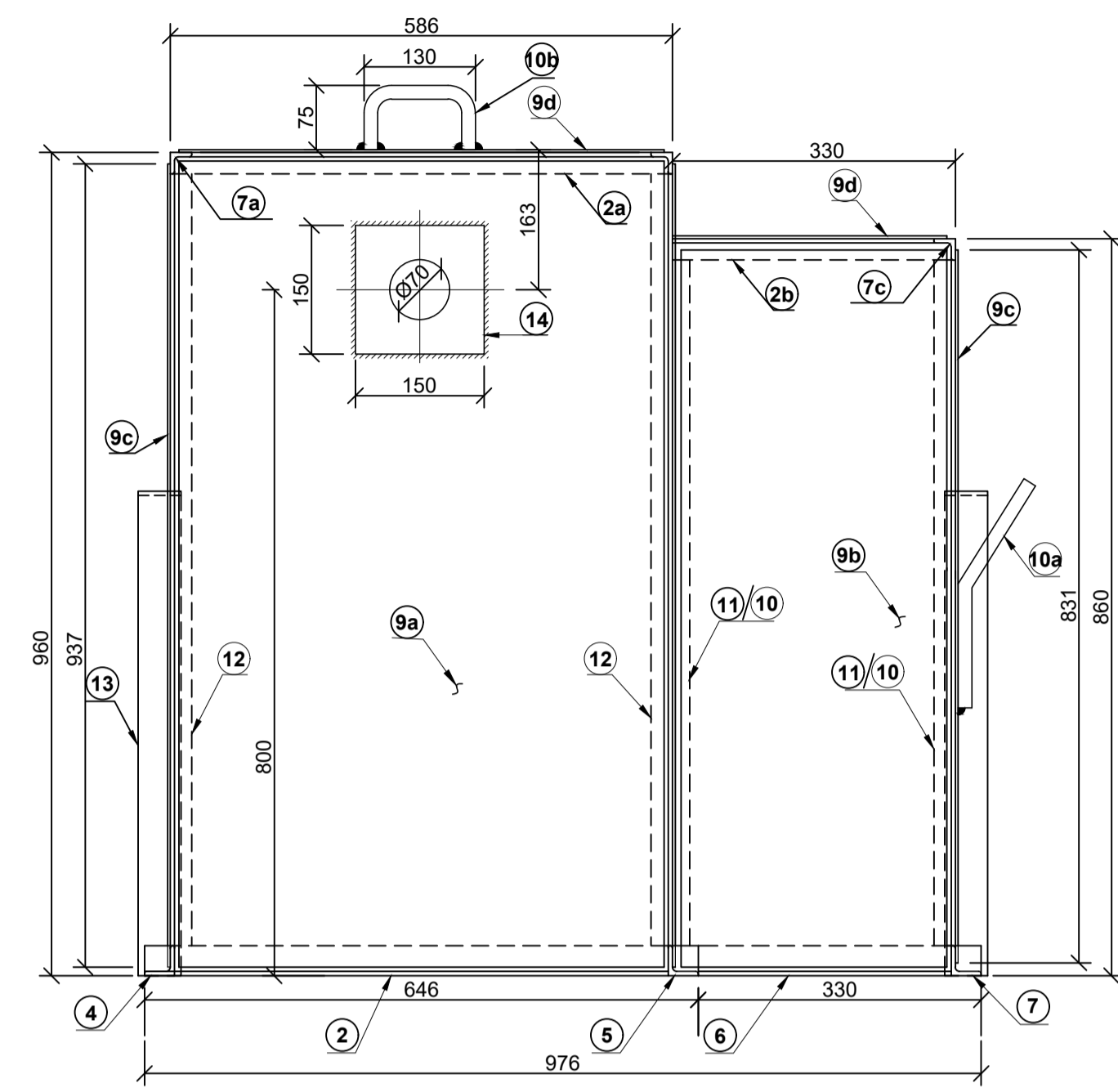
SECTION - AA

- PAINTING AREA - 14 m²/ COVER
- PROVISION OF ANGLES/ CHANNELS AS PER SUITABILITY OF SITE CONDITION SHALL BE KEPT TO SECURE THE CENTRAL DRIVE COVER WITH THE CENTRAL DRIVE FRAME OF HOIST PLATFORM. M10 BOLTS AS REQUIRED SHALL ALSO BE USED TO SECURE THE COVER WITH THE FRAME.
- FOR EASE IN HANDLING THE COVER MAY BE SPLIT INTO TWO NOS., IF REQUIRED.
- TOTAL NOS. REQUIRED - 04.

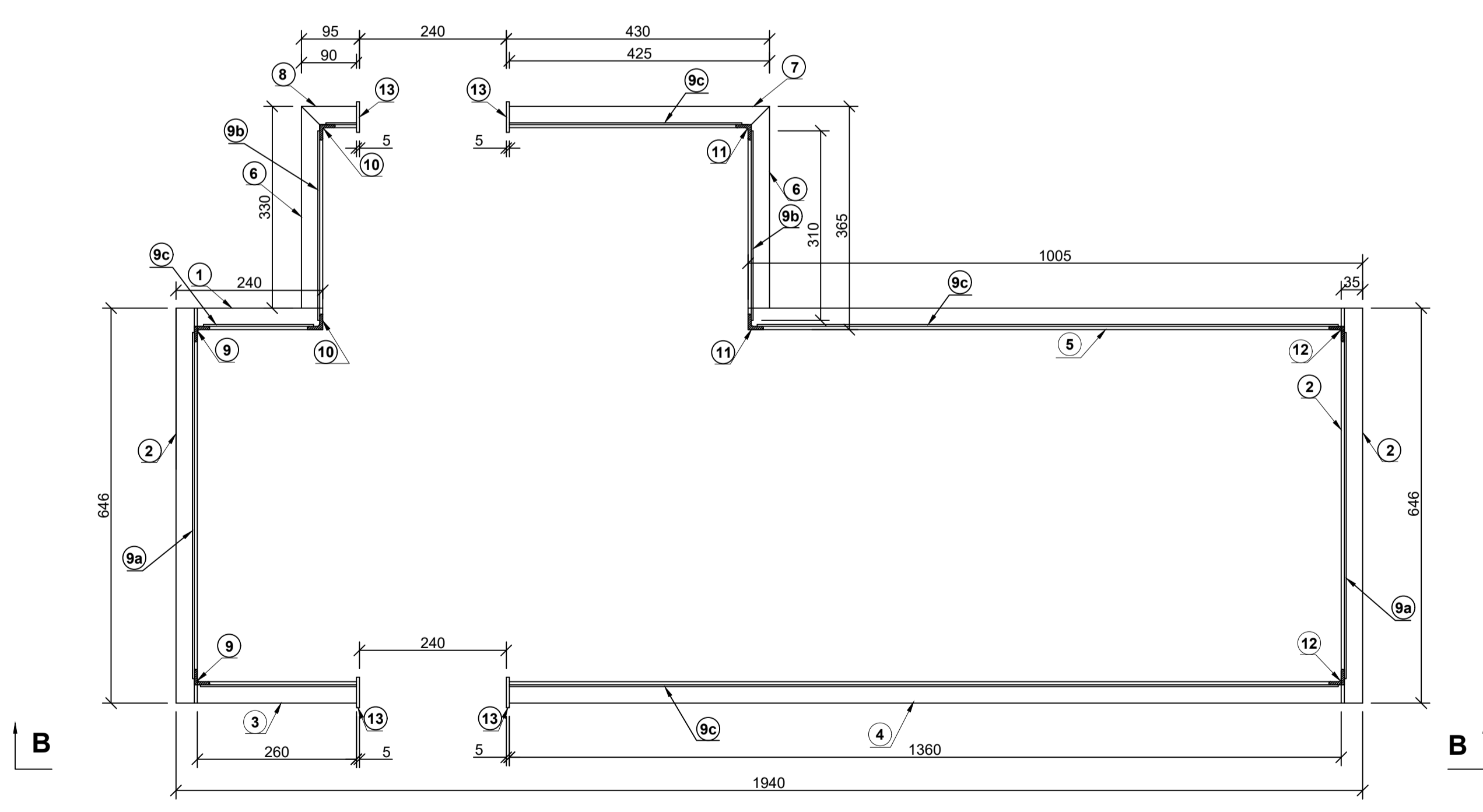
CENTRAL DRIVE UNIT COVER FOR 2300mm X 2800mm SERVICE GATE FOR HR OF KANUPUR IRRIGATION PROJECT					
PART NO	DESCRIPTION	NOS	WT IN KGS	MATL	REM
15	L 25 X 25 X 5 - 565 LG	2	2.1	IS:2062	
14	150 X 150 X 8 TH. PL.	1	1.6	IS:2062	
13	FLAT 50 X 5 - 1110 LONG	2	4.5	IS:2062	B/S
12	L 25 X 25 X 5 - 925 LG	2	3.5	IS:2062	C/S
11	L 25 X 25 X 5 - 828 LG	2	3.1	IS:2062	C/S
10b	HANDLE 160 280 LG	2	1.0	IS:2062	B/S
10a	HANDLE 160 300 LG	2	1.1	IS:2062	B/S
10	L 25 X 25 X 5 - 690 LG	2	2.6	IS:2062	C/S
9d	SHEET 1463 X 2 - 850 = LG	1	20.5	IS:2062	B/S
9c	SHEET 1435 X 2 - 940 = LG	2	43.5	IS:2062	C/S
9b	SHEET 265 X 2 - 848 = LG	2	7.2	IS:2062	C/S
9a	SHEET 555 X 2 - 683 = LG	2	12.5	IS:2062	B/S
9	L 25 X 25 X 5 - 668 LG	2	2.6	IS:2062	C/S
8	L 35 X 35 X 5 - 110 LG	1	0.3	IS:2062	C/S
7d	L 25 X 25 X 5 - 105 LG	1	0.2	IS:2062	B/S
7c	L 25 X 25 X 5 - 653 LG	1	1.3	IS:2062	B/S
7b	L 25 X 25 X 5 - 715 LG	1	1.35	IS:2062	B/S
7a	L 25 X 25 X 5 - 1472 LG	1	2.75	IS:2062	B/S
7	L 35 X 35 X 5 - 378 LG	1	1.0	IS:2062	B/S
6	L 35 X 35 X 5 - 285 LG	2	1.75	IS:2062	C/S
5	L 35 X 35 X 5 - 708 LG	1	1.9	IS:2062	C/S
4	L 35 X 35 X 5 - 1050 LG	1	2.85	IS:2062	
3	L 35 X 35 X 5 - 185 LG	1	0.6	IS:2062	
2b	L 25 X 25 X 5 - 285 LG	2	1.1	IS:2062	C/S
2a	L 25 X 25 X 5 - 570 LG	2	2.2	IS:2062	C/S
2	L 35 X 35 X 5 - 635 LG	2	3.5	IS:2062	
1	L 35 X 35 X 5 - 110 LG	1	0.3	IS:2062	



ELEVATION (VIEW - BB)



VIEW-CC



SECTION - AA

- PAINTING AREA - 16 m²/ COVER
- PROVISION OF ANGLES/ CHANNELS AS PER SUITABILITY OF SITE CONDITION SHALL BE KEPT TO SECURE THE CENTRAL DRIVE COVER WITH THE CENTRAL DRIVE FRAME OF HOIST PLATFORM. M10 BOLTS AS REQUIRED SHALL ALSO BE USED TO SECURE THE COVER WITH THE FRAME.
- FOR EASE IN HANDLING THE COVER MAY BE SPLIT INTO TWO NOS., IF REQUIRED.
- TOTAL NOS. REQUIRED - 04.

CENTRAL DRIVE UNIT COVER FOR 2300mm X 2800mm EMERGENCY GATE FOR HR OF KANUPUR IRRIGATION PROJECT					
PART NO	DESCRIPTION	NOS	WT IN KGS	MATL	REM
15	L 25 X 25 X 5 - 576 LG	2	2.1	IS:2062	
14	150 X 150 X 8 TH. PL.	1	1.6	IS:2062	
13	FLAT 50 X 5 - 1273 LONG	2	5.0	IS:2062	B/S
12	L 25 X 25 X 5 - 925 LG	2	3.5	IS:2062	C/S
11	L 25 X 25 X 5 - 828 LG	2	3.0	IS:2062	C/S
10b	HANDLE 160 280 LG	2	1.0	IS:2062	B/S
10a	HANDLE 160 300 LG	2	1.1	IS:2062	B/S
10	L 25 X 25 X 5 - 732 LG	2	2.7	IS:2062	C/S
9d	SHEET 1875 X 2 - 898 = LG	1	27.0	IS:2062	B/S
9c	SHEET 1860 X 2 - 950 = LG	2	56.5	IS:2062	C/S
9b	SHEET 310 X 2 - 745 = LG	2	7.4	IS:2062	C/S
9a	SHEET 566 X 2 - 720 = LG	2	13.0	IS:2062	B/S
9	L 25 X 25 X 5 - 705 LG	2	2.6	IS:2062	C/S
8	L 35 X 35 X 5 - 90 LG	1	0.25	IS:2062	C/S
7d	L 25 X 25 X 5 - 206 LG	1	0.5	IS:2062	B/S
7c	L 25 X 25 X 5 - 712 LG	1	1.3	IS:2062	B/S
7b	L 25 X 25 X 5 - 978 LG	1	1.8	IS:2062	B/S
7a	L 25 X 25 X 5 - 1895 LG	1	3.5	IS:2062	B/S
7	L 35 X 35 X 5 - 425 LG	1	1.15	IS:2062	B/S
6	L 35 X 35 X 5 - 330 LG	2	1.75	IS:2062	C/S
5	L 35 X 35 X 5 - 970 LG	1	2.6	IS:2062	C/S
4	L 35 X 35 X 5 - 1360 LG	1	3.6	IS:2062	
3	L 35 X 35 X 5 - 260 LG	1	0.7	IS:2062	
2b	L 25 X 25 X 5 - 325 LG	2	1.2	IS:2062	C/S
2a	L 25 X 25 X 5 - 586 LG	2	2.2	IS:2062	C/S
2	L 35 X 35 X 5 - 646 LG	2	3.4	IS:2062	
1	L 35 X 35 X 5 - 205 LG	1	0.6	IS:2062	