

ODISHA CONSTRUCTION CORPORATION LIMITED
(A GOVT. OF ODISHA UNDERTAKING)
CENTRAL WORKSHOP: RASULGARH,
BHUBANESWAR-751010 (ODISHA)

TENDER DOCUMENT FOR
SUPPLY OF RUBBER SEAL FOR DIFFERENT PROJECTS

The tender document comprises of the following:

1)	Tender call notice No.OCC/CWS/PROC /GBP-03/ 61 /2024-25 dated 30.01.2025	01 (One) sheet
2)	Terms and conditions	04 (Four) sheets
3)	Specifications & Price schedule	02 (Two) sheets
4)	Drawing	09 (Nine) sheets
Total :		16 (Sixteen) sheets

**Signature of the Tenderer agency or
His/their Power of attorney holder
with designation & seal.**

**Senior Manager (Mech.)-I
OCC Ltd, Central Workshop,
Rasulgarh, Bhubaneswar-10.**

ODISHA CONSTRUCTION CORPORATION LIMITED

(A GOVT. OF ODISHA UNDERTAKING)

**CENTRAL WORKSHOP, RASULGARH,
BHUBANESWAR-751010 (ODISHA)**

Tender Call Notice No. OCC/CWS/PROC/ GBP-03 / 61 /2024 -25 Dtd. 30.01.2025

Sealed tenders in conformity with the terms, conditions and specifications in tender documents are invited from reputed manufacturers or their authorized dealers / distributor for “**SUPPLY OF RUBBER SEAL FOR DIFFERENT PROJECTS**” as per details below:

Cost of tender document (Non-refundable)	Sale of tender Document		Earnest money deposit (EMD) required	Receipt of tender	Opening of price schedule bid & technical bid of tender
Rs.2000/- plus GST @ 18% Rs.2360/- by hand or Rs.2460/- by Regd. Post/ courier.	From 31.01.25	To 11.02.2025 up to 1.00 PM	1(One)% of the total quoted value Excluding GST	Up to 3.30 PM on 11.02.2025	At 4.00 PM On 11.02.2025

The tender document can be purchased by the interested reputed manufacturers or their authorized dealers / traders / stockiest / distributor by hand from the office of the undersigned on deposit of cost of tender document i.e. **Rs.2000/-** plus GST @ 18%, amounting to **Rs.2360/-** in cash or in shape of A/c. payee demand draft drawn in favour of Odisha Construction Corporation Limited- Project account on any Nationalised Bank/ scheduled bank payable at Bhubaneswar (Non-refundable) and production of attested copies of the following documents and verification thereof by the undersigned. The tender document can also be obtained by the interested reputed manufacturers or their authorized dealers / traders by registered post / courier on sending the cost of tender document i.e. **Rs.2000/-** plus GST @ 18% and postage charges of **Rs.100/-** amounting to **Rs.2460/-** in shape of A/c. payee demand draft drawn as stated above and attested copies of the following documents and verification thereof by the undersigned. The tender document should be submitted only through Speed post and Registered Post/Email (**gmcwsocltender@gmail.com**) within stipulated date and time .The undersigned will not be responsible for any kind of delay by the postal authorities and technical issue.

1. Valid GST Registration certificate.
2. PAN Card.
3. The bidders have to submit copies of purchase orders, credentials, certificates etc. in support of supply of similar items of similar magnitude in any one year of last 5 financial years (i.e. from financial year 2019-20 to 2024-25 including current financial year 2024-25).

The tender document can also be downloaded from our Website www.odishaconstruction.com to submit the tender (**Bidders are requested to visit our website regularly for any changes**). However, the cost of tender document i.e. **R.2000/-** plus GST @ 18% amounting to **Rs.2360/-** in shape of A/c payee demand draft as stated above in favour of “Odisha Construction Corporation Limited- Project Account” on any Nationalised Bank/ Scheduled Bank payable at Bhubaneswar (Non-refundable) along with attested photo copies of all above documents should be submitted while submitting the tender in Envelope-I. Otherwise, the tender will be cancelled & OCCL will not be responsible for missing of any page while downloading. If there will be a public holiday on the last date of sale of tender document and receipt & opening of the tender as specified above, the tender document will be sold and tender will be received & opened on the next working day at the same time and venue.

The SSI/NSIC/MSME units participating in tender are not entitled for exemption from payment of Tender Paper costs as communicated vide DOWR Letter No. IIM-24/2018-14318/WR dated 24.05.2018 & Head Office, OCCL Letter No.5502/OCC/CW-02/ 09(Vol-V)(WE) dated 30.05.2018.

The tenders will be opened in the presence of the tenderers or their authorised representatives, if they so desire. Tender through Fax/Telex/telegram will not be accepted

The undersigned reserves the right to accept or reject any or all tender without assigning any reason thereof

**Signature of the Tenderer agency or
His/their Power of attorney holder
with designation & seal.**

**Senior Manager (Mech.)-I
OCC Ltd, Central Workshop,
Rasulgarh, Bhubaneswar-10.**

ODISHA CONSTRUCTION CORPORATION LIMITED
(A GOVT. OF ODISHA UNDERTAKING)
CENTRAL WORKSHOP, RASULGARH,BHUBANESWAR-751010 (ODISHA)

TERMS AND CONDITIONS OF TENDER FOR
“SUPPLY OF RUBBER SEAL FOR DIFFERENT PROJECTS”

1. Reputed manufacturers or their authorized dealers / traders having supplied similar items of similar magnitude earlier and satisfactorily accepted by the clients will be eligible to participate in the tender. The copies of purchase orders, credentials, certificates etc. in support of similar supply and satisfactory performance thereof will be furnished along with the tender.
2. Tender should be submitted in two bid system in two separate sealed covers and both will be submitted in a single sealed outer cover subscribing in bold letters as **“TENDER FOR SUPPLY OF RUBBER SEAL FOR DIFFERENT PROJECTS”** and also the date of opening of tender. The name and address of the tenderer should not be written on outer cover. Only the name and address of the purchaser should be written on the outer cover.
3. The tenderer should submit Earnest Money Deposit (EMD) @ 1(One)% of the total quoted value along with the tender in shape of N.S.C. / Postal office TDR / Bank Time Deposit Account / Kisan Vikas Patra / Bank Guarantee / Demand draft in favour of Odisha Construction Corporation limited- Project Account from any Nationalized Scheduled Bank in India counter guaranteed by its local branch at Bhubaneswar / e-Bank Guarantee executed on the National e-Governance Service Limited (NeSL) Digital Document Execution Portal/ FD / TDR pledged in favour of the undersigned. The tenders received without EMD will be out rightly rejected. EMD of the unsuccessful tenderers will be released only after finalization of the tender.
4. i) The first envelope superscribing in bold letters as **“TECHNICAL BID”** should contain the following:
 - a. Attested copy of valid GST registration certificates. The tenderer will mention his GST Regn. No. in his tender clearly without which the tender will not be taken into consideration.
 - b. EMD of 1% as per clause- 3 above
 - c. Attested copy of PAN Card.
 - d. The bidders have to submit copies of purchase orders, credentials, certificates etc. in support of supply of similar items of similar magnitude in any one year of last 5 financial years (i.e. from financial year 2019-20 to 2023-24 including current financial year 2024-25).
 - e. Complete tender document in original including terms and conditions but without detailed specifications and price schedule duly signed on each page by the tenderer or his/their power of attorney holder. In case of power of attorney holder, an attested copy of power of attorney should be furnished.ii) Second envelope subscribing in bold letters **“SPECIFICATION AND PRICE SCHEDULE”** should contain detailed specifications and price schedule in original only duly filled in without leaving any column and line blank and signed on each page by the tenderer or his/their power of attorney holder.
5. The tender document should be submitted only through Speed post, email (gmcwsoccltender@gmail.com) and Registered Post within stipulated date and time . No other mode will be accepted other than Registered Post / Speed Post/email (gmcwsoccltender@gmail.com) to receive the tender document by this office. The undersigned will not be responsible for any kind of delay by the postal authorities and technical issue.
6. The tenderer who will participate through email (gmcwsoccltender@gmail.com), must upload all the self attested technical bid documents in one Enclosure-1 and Price schedule in another Enclosure-2. The tender (participated through e-mail) will scan the tender & EMD cost document / relevant financial documents and upload the same along with tender document in Enclosure-1. Subject of the Email should be **“TENDER FOR SUPPLY OF RUBBER SEAL FOR DIFFERENT PROJECTS”**. Original copy of tender and EMD cost must submitted to the undersigned within 05(five) days of opening of tender, otherwise bid shall be rejected and the bidder will be debarred from participation in any future tender.

Signature of the Tenderer agency or
His/their Power of attorney holder
with designation & seal.

//1//

Senior Manager (Mech.)-I
OCC Ltd, Central Workshop,
Rasulgarh, Bhubaneswar-10.

- i) The bid documents (technical bid & price bid) submitted through e-mail by the bidders must be password protected & the password is to be set by the bidder himself.
 - ii) The bidder documents (technical bid & price bid) will be opened in presence of the interested bidders on the scheduled date and time as mentioned in the tender. The password is to be revealed or intimated by the quotationer or bidder at the time of opening of price bid documents.
 - iii) The bids received through e-mail without password will be outrightly rejected.
7. The tender document can be purchased by the interested reputed manufacturers or their authorized dealers / traders / stockiest / distributor by hand from the office of the undersigned from **31.01.2025 to 11.02.2025** (up to **1.00 P.M**) during office hours on deposit of cost of tender document i.e. **Rs.2000/-** plus GST @ 18% amounting to **Rs.2360/-** in cash or in shape of A/c. payee demand draft drawn in favour of "Odisha Construction Corporation Limited- Project Account" on any Nationalized Bank/Scheduled Bank payable at Bhubaneswar (non-refundable) and production of attested copies of the following documents and verification thereof by the undersigned. The tender document can also be obtained by the interested reputed manufacturers or their authorized dealers / traders by registered post/speed post/courier on sending the cost of tender document i.e. **Rs.2000/-** plus GST @ 18% and postage charges of **Rs.100/-** amounting to **Rs.2460/-** in shape of A/C. payee demand draft drawn in favour of "Odisha Construction Corporation Limited - Project Account" on any Nationalized Bank/Scheduled Bank payable at Bhubaneswar (non-refundable) and sending attested copies of the following documents and verification thereof by the undersigned.
1. Valid GST Registration certificate.
 2. PAN Card.
 3. The bidders have to submit copies of purchase orders, credentials, certificates etc. in support of supply of similar items of similar magnitude in any one year of last 5 financial years (i.e. from financial year 2019-20 to 2023-24 including current financial year 2024-25).
8. The tender document can also be downloaded from our Website **www.odishaconstruction.com** to submit the tender (**Bidders are requested to visit our website regularly for any changes**). However, the cost of tender document i.e. **Rs.2000/-** plus GST @ 18% amounting to **Rs.2360/-** in shape of A/C. payee demand draft, as stated above in favour of "Odisha Construction Corporation Limited - Project Account" on any Nationalized Bank/ Scheduled Bank payable at Bhubaneswar (non-refundable) along with attested photo copies of all above documents should be submitted, while submitting tender in Envelope-I, otherwise, the tender will be cancelled. OCCL will not be responsible for missing of any page while downloading.
9. The tenders will be received up to **3.30 PM** on **11.02.2025** and **same** will be opened in the office of the undersigned on the same day at **4.00 PM** in presence of the tenderers or their authorized representatives, if they so desire. If there will be a public holiday on the last date of sale of tender document and receipt & opening of the tenders as specified above, the tender document will be sold and tenders will be received & opened on the next working day at the same time and venue.
10. The **PRICE SCHEDULE BID & TECHNICAL BID** will be opened on **11.02.2025** at **4.00 PM**. Then the documents in the first envelope submitted by the tenderers will be scrutinized preliminarily on the spot. The second envelope of the valid eligible tenders after preliminary scrutiny of the documents in the first envelope will be opened on the same day immediately subject to fulfilling the requirements mentioned in the tender schedule.
11. The materials should be strictly confirming to relevant standard of Bureau of Indian Standard (BIS) & specification, size and grade etc. as mentioned in price schedule format enclosed to the tender schedule.
12. Original test certificate of materials confirming to relevant IS: specification and grade will be provided by the successful tenderer from Govt./Govt. approved testing laboratory along with supply of materials. The purchaser is having the option to test the materials in any laboratory at the cost of the supplier and if the materials are not found in accordance with the BIS specifications, size and grade, the materials will be rejected.

Signature of the Tenderer agency or
His/their Power of attorney holder
with designation & seal.

//2//

Senior Manager (Mech.)-I
OCC Ltd, Central Workshop,
Rasulgarh, Bhubaneswar-10.

13. The materials will be guaranteed by the supplier against any defect for a period of 18 months from the date of supply or 12 months from the date of use, whichever is earlier. Guarantee certificate in this regard will accompany with supply of materials. If any defect is found in the materials within the guarantee period, the same will have to be replaced free of cost by the supplier within a suitable time fixed by the purchaser.
14. The rate should be quoted by the tenderer on unit basis only, failing which the offer shall not taken into consideration. In no case the materials shall be received less than the required quantity in Nos. However, in case of any variation in weight that can be considered subject to proper specification of material and also materials in Nos. shall not less than the actual quantity. Further, in case of any irregularities noticed in materials due to underweight, uneven threading, size variation etc. the same shall be out rightly rejected. The tenderer should also mention the make of the items against each to be supplied / rate quoted on the space provided in price schedule format,
15. The tenderer will quote their rates F.O.R. OCCL Store, Central Workshop, Rasulgarh, Bhubaneswar-10 (Odisha) indicating separately the basic price & packing, forwarding, transportation, transit insurance, handling charges & taxes, duties, levies etc. strictly in the detailed specifications and price schedule format in original. All columns and lines of the price schedule should be filled in properly without leaving any thing blank. The details and rates of duties and taxes should be indicated clearly in the price schedule.
16. 90% payment will be made within 30 days of receipt, verification and acceptance of the complete materials along with bill, test certificate, guarantee certificate and other documents. Balance 10% payment shall be released within 90 (Ninety) days from the date of receipt of materials at store, OCCL, Central Workshop, Rasulgarh, Bhubaneswar. No advance payment shall be made under any circumstances.
17. The tenderer should quote appropriate taxes with the offer.
18. The materials shall be inspected and certified by the consignee / client / third party appointed by the purchaser at the premises of Central Workshop, Rasulgarh basing on approved QAP/ specifications/ IS / ISO as per instructions of concerned Engineer-in-Charge.
19. Price escalation will not be allowed under any circumstances. The quoted rates will remain firm till execution of the work order.
20. The validity of the offer should be for a period of 120 (One hundred twenty) days from the date of opening of the tender.
21. The complete ordered quantity is to be supplied within 45 (Forty five) days from the date of issue of the purchase order, failing which the order is liable for cancellation without assigning any reason thereof by the purchaser. In case of any delay in supply of materials beyond the delivery schedule, supplier shall be liable to pay L.D. @ 0.5% (Half percent) of the total ordered value per week of delay or part thereof subject to Max^m of 5% (Five percent) of the total ordered value. Thereafter, the order may be cancelled with the discretion of purchaser.
22. After submission of tender and before placing order, the bidder may be asked by the undersigned to attend techno-commercial discussions and reply to queries within a specified period. If the bidder fail to do so, the tender submitted by the bidder is liable to be cancelled.
23. Conditional offers with deviations will not be accepted. Those, who do not agree to the terms and conditions regarding payments, delivery and others, need not quote.

**Signature of the Tenderer agency or
His/their Power of attorney holder
with designation & seal.**

//3//

**Senior Manager (Mech.)-I
OCC Ltd, Central Workshop,
Rasulgarh, Bhubaneswar-10.**

24. The purchaser may increase / decrease the number of items/ quantity to be supplied by the successful tenderer as quantified in detailed technical specification of the price schedule.
25. The authority reserves the right to accept/reject any or all tenders without assigning any reason thereof. The required quantity of materials can be splitted among the two or more tenderers. In this connection, the decision of purchaser is final and binding on the tenderer.
26. The duplicate copy of the order shall be signed by the supplier on each page with his seal as acceptance of the order and shall be returned to the purchaser within 07 (Seven) days of receipt of this order failing which the order is liable for cancellation
27. Tender through fax/telex/telegram will not be accepted.
28. Any dispute arising out of this tender or order thereof is to be settled in proper court under the jurisdiction of Odisha High Court at Cuttack or courts under the jurisdiction of Odisha High Court at Bhubaneswar only.

**Signature of the Tenderer agency or
His/their Power of attorney holder
with designation & seal.**

//4//

**Senior Manager (Mech.)-I
OCC Ltd, Central Workshop,
Rasulgarh, Bhubaneswar-10.**

ODISHA CONSTRUCTION CORPORATION LTD.
(A GOVT. OF ODISHA UNDERTAKING)
CENTRAL WORKSHOP, RASULGARH, BHUBANESWAR-751010 (ODISHA)

DETAILED SPECIFICATION & PRICE SCHEDULE FOR

“SUPPLY OF RUBBER SEAL FOR DIFFERENT PROJECTS” VIDE TCN No.OCC/CWS/PROC/ GBP-03 / 61 /24-25 DATED 30.01.2025 DUE ON 11.02.2025

Sl. No.	Part No	Description of item	Unit	Reqd. Quantity in Nos.	Rate per each unit in Rupees						Total amount for full quantity	
					Basic Price	P&F, trans., transit insurance, handling charges, incidental charges etc.	Duties with details including percentage applicable	GST as applicable	In figures	In words	In figures	In words

VERTICAL GATE OF GOBARDHANPUR BARRAGE PROJECT

1	5-1	BOTTOM SEAL-AS PER DRAWING, NATURAL OR SYNTHETIC RUBBER CONFORMING TO IS:11855-1986, LENGTH-8084MM(ANNEXURE-I)	Nos.	5								
2	5-4	SIDE SEAL-AS PER DRAWING, NATURAL OR SYNTHETIC RUBBER CONFORMING TO IS:11855-1986, LENGTH-3555 MM(ANNEXURE-II)	Nos.	10								
3	6-2	SPRING LOADED DOUBLE LIP BUILT UP OIL SEAL OD 130MM, 15MM WIDTH FOR SHAFT DIA-100MM	Nos.	40								
4	6-6	Φ 3MM RUBBER "O" RING OD-186MM, ID-180MM	Nos.	40								

BARRAGE BAY GATE OF RAMANADI DIVERSION WEIR OF INTEGRATED CHHELIGADA IRRIGATION PROJECT

5	5-1	BOTTOM SEAL-AS PER DRAWING, NATURAL OR SYNTHETIC RUBBER CONFORMING TO IS:11855-1986 , LENGTH-8656MM(ANNEXURE-III)	Nos.	6								
6	5-4	SIDE SEAL-AS PER DRAWING, NATURAL OR SYNTHETIC RUBBER CONFORMING TO IS:11855-1986, LENGTH-2105 MM(ANNEXURE-IV)	Nos.	12								

Signature of the tenderer or his/their
Power of attorney holder
with designation & seal.

Senior Manager (Mech.)-I
OCC Ltd, Central Workshop,
Rasulgarh, Bhubaneswar-751010.

Sl. No.	Part No	Description of item	Unit	Reqd. Quantity in Nos.	Rate per each unit in Rupees						Total amount for full quantity	
					Basic Price	P&F, trans., transit insurance, handling charges, incidental charges etc.	Duties with details including percentage applicable	GST as applicable	In figures	In words	In figures	In words

SCOURING SLUICE GATE OF BILUAMARA MIP

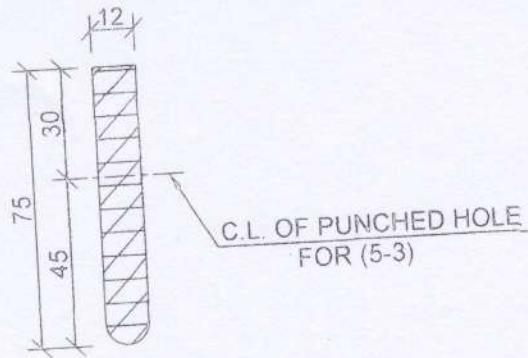
7	4-1	BOTTOM SEAL-AS PER DRAWING, SYNTHETIC RUBBER CONFORMING TO IS:11855, ANNEXURE-V	Mtr.	13.87								
8	4-4	SIDE SEAL-AS PER DRAWING, SYNTHETIC RUBBER CONFORMING TO IS:11855, ANNEXURE-VI	Mtr.	10.54								
9	4-8	TOP SEAL-AS PER DRAWING, SYNTHETIC RUBBER CONFORMING TO IS:11855, ANNEXURE-VI	Mtr.	10.84								
10	4-10	300MM x 300MM CORNER SEAL-AS PER DRAWING , SYNTHETIC RUBBER CONFORMING TO IS:11855, ANNEXURE-VII	Nos.	12(6L, 6R)								

RHR GATE OF BILUAMARA MIP

11	1-19	BOTTOM SEAL-AS PER DRAWING, SYNTHETIC RUBBER CONFORMING TO IS:11855, LENGTH-980MM, ANNEXURE-VIII	Nos.	1								
12	1-22	SIDE SEAL-AS PER DRAWING, SYNTHETIC RUBBER CONFORMING TO IS:11855, LENGTH-1100MM, ANNEXURE-IX	Nos.	2								
13	1-26	TOP SEAL-AS PER DRAWING, SYNTHETIC RUBBER CONFORMING TO IS:11855, LENGTH-1040MM, ANNEXURE-IX	Nos.	1								

Signature of the tenderer or his/their
Power of attorney holder
with designation & seal.

Senior Manager (Mech.)-I
OCC Ltd, Central Workshop,
Rasulgarh, Bhubaneswar-751010.



BOTTOM SEAL (5-1)

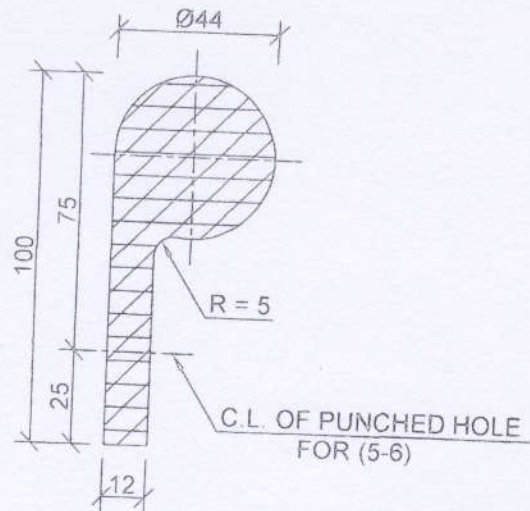
MATERIAL :- NATURAL OR SYNTHETIC RUBBER
CONFORMING TO IS:11855 - 1986
LENGTH OF SEAL - 8784mm
NOS. REQD./GATE - 01 (ONE)

TOTAL QTY - 05 (FIVE) NOS

Note :- (5-3) - Hex bolt M12X60D IS:1364 - SS with punched washers 414

GOBARDHANPUR BARRAGE PROJECT

OCC



SIDE SEAL (5-4)

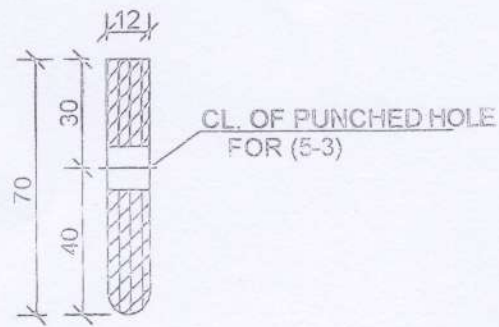
MATERIAL :- NATURAL OR SYNTHETIC RUBBER
CONFORMING TO IS:11855 - 1986
LENGTH OF SEAL - 3535 mm
NOS. REQD./GATE - 02 (TWO)

TOTAL QTY. - 10 (TEN) NOS

Note :- (5-6) - Counter sunk screw M12X70N IS:1365-SS
with punched washer 419

GOBARDHANPUR BARRAGE PROJECT

O.C.C.L.



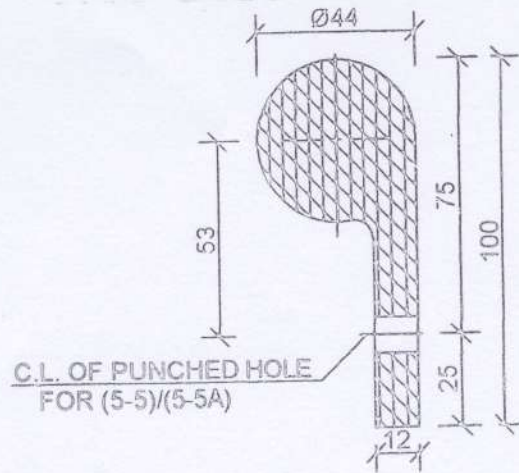
BOTTOM SEAL (5-1)

MATERIAL - NATURAL OR SYNTHETIC RUBBER
CONFORMING TO IS:11855 - 1986
NOS. REQD.- 1 PER GATE
LENGTH - 8650 mm

TOTAL QTY - 06 (SIX) NOS

Note :- (5-3) - Hex head bolt IS:1364 (part-1) M12 X 60N
with punched washer A14

RAMANADI WEIR OF INTEGRATED
CHHELIGADA IRRIGATION PROJECT
OCCL



SIDE SEAL (5-4)

MATERIAL - SYNTHETIC RUBBER
CONFORMING TO IS:11855
NOS. REQD - 2 PER GATE
LENGTH 2105 mm

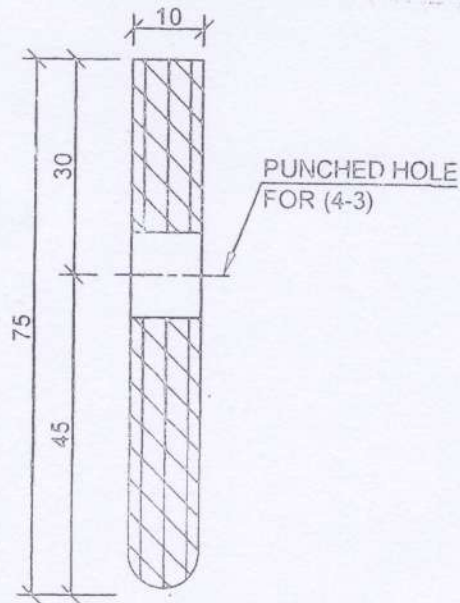
TOTAL QTY - 12 (TWELVE) NOS

Note :- (5-5) - Countersunk screw M10 X 65 IS:1365-4.8 with punched washer A11

(5-5A) - Countersunk screw M10 X 75N IS:1365-4.8 with punched washer A11

RAMANADI WEIR OF INTEGRATED
CHHELIGADA IRRIGATION PROJECT
OCC L

VI
VENT
NING)



BOTTOM SEAL (4-1)

MATERIAL - SYNTHETIC RUBBER
CONFORMING TO IS:11855

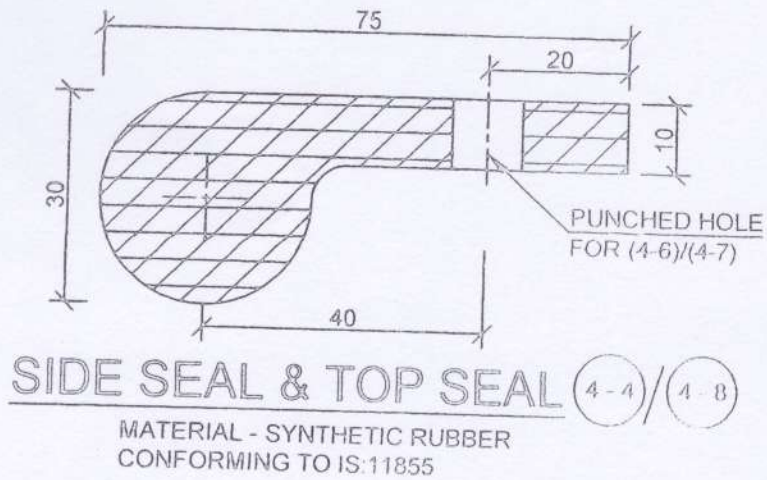
TOTAL QTY - 13870 mm

Note :- (4-3) - Hex head bolt M10 X 65 N IS: 1304
Stainless Steel (A2-70) with washers

Signature

- LENGTH - 2350 mm - 2 nos
- 2240 mm - 1 no
- 2430 mm - 1 no
- 2230 mm - 2 nos

SCOURING SLUICE GATE OF
BILUAMARA MIP
OCCL



LENGTH OF SIDE SEAL - 890mm - 8 nos, 780mm - 2 nos,
930mm - 2 nos
LENGTH OF TOP SEAL - 1790mm - 4 nos
1840mm - 2 nos

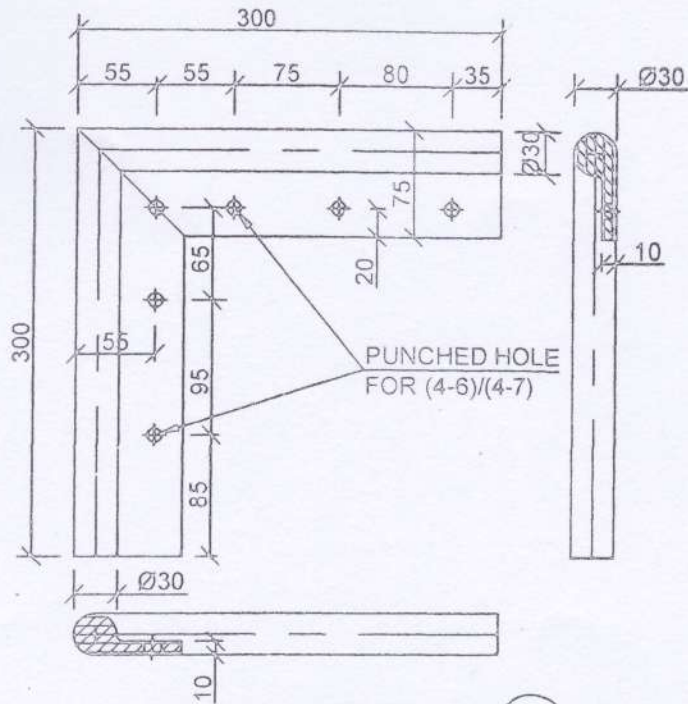
TOTAL QTY OF SIDE SEAL - 10540mm

TOTAL QTY OF TOP SEAL - 10840mm

Note :- (4-6) - Counter sunk screw M10x70N IS:1365-SS(A2-70)
with washers.
(4-7) - Counter sunk screw M10x80N IS:1365-SS(A2-70)
with washers.

Andru

SCOURING SLUICE GATE OF
BILUAMARA MIP
OCCL



CORNER SEAL (4-10)

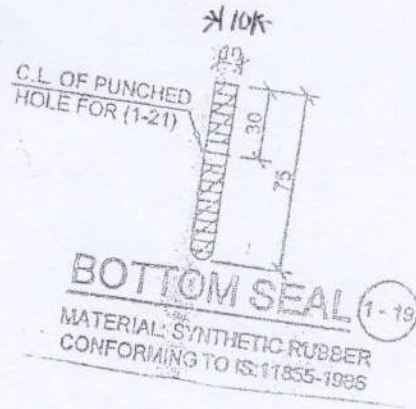
MATERIAL - SYNTHETIC RUBBER
CONFORMING TO IS:11855

TOTAL QTY - 12 (TWELVE) NOS.

- Note :- (4-6) - Counter sunk screw M10X70mm IS:1365 -
SS (A2-70) with washer
(4-7) - Counter sunk screw M10X80mm IS:1365 -
SS (A2-70) with washer

Adm.

SECURING SLUICE GATE OF
BILVAMARA WIP
OCLL

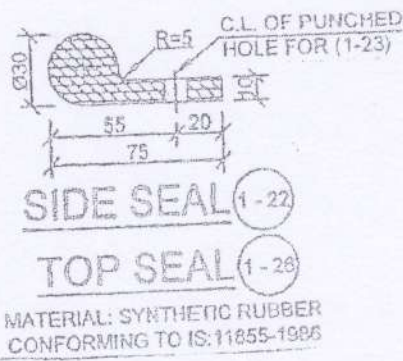


LENGTH - 900 mm
TOTAL QTY - 01 (ONE)

Note :- (1-21) Hex head bolt M10 X 500 - SS of IS: 1364
(part-1) with washer

[Signature]

RHR GATE OF BILDAMARA MIP.
OCEL



LENGTH OF SIDE SEAL - 1100 mm
LENGTH OF TOP SEAL - 1040 mm

Note :- (1-23) - Counter sunk screw M10X60
OF IS: 1365 - SS with washers

TOTAL QTY OF SIDE SEAL - 02 (TWO) NOS
TOTAL QTY OF TOP SEAL - 01 (ONE) NO

[Signature]

RHR, Galv of Beluamara MIP
OCC