

**ODISHA CONSTRUCTION CORPORATION LTD.
(A GOVT. OF ODISHA UNDERTAKING)
CENTRAL WORKSHOP, RASULGARH,
BHUBANESWAR-751010 (ODISHA)**

* * * * *

**QUOTATION DOCUMENT FOR
“SUPPLY OF RUBBER SEAL FOR CONSTRUCTION SLUICE GATE OF
DEO IRRIGATION PROJECT”**

The quotation document comprises of the following:

1)	Quotation call notice No. OCC/CWS/PROC/DEP-03/ 38 /20-21 dated 09.11.2020	01 (One) sheet
2)	Terms and conditions	01 (One) sheet
3)	Drawings	03(Three) sheets
3)	Price schedule	01 (One) sheet
Total :		06 (Six) sheets

Signature of the quotationer or his/their
power of attorney holder
with designation & seal.

Senior Manager (Mech.)-I
OCC Ltd, Central Workshop,
Rasulgarh, Bhubaneswar-751010

**ODISHA CONSTRUCTION CORPORATION LIMITED
(A GOVT. OF ODISHA UNDERTAKING)
CENTRAL WORKSHOP: RASULGARH,
BHUBANESWAR-751010 (ODISHA)**

QUOTATION CALL NOTICE OCC/CWS/PROC/DEP-03/ /20-21 dated 09.11.2020

Sealed quotations in conformity with the term & conditions, drawings and specifications in quotation document are invited from reputed manufacturers or their authorized dealers / distributors/ stockists for **“SUPPLY OF RUBBER SEAL FOR CONSTRUCTION SLUICE GATE OF DEO IRRIGATION PROJECT”** as per detailed specification and price schedule enclosed to be received up to **3.00 PM** on **16.11.2020** and opened at **4.00 PM** on the same date in presence of the quotationers or their authorized representative if they so desire. The sealed covers should be clearly mentioned with quotation call notice No. & date of opening on the Top right hand of sealed cover positively.

The cost of quotation documents shall be of ` 400/- + CGST @ 6% ` 24/- + SGST @ 6% ` 24/- = ` 448/- (Rupees four hundred forty-eight) only by hand / ` 400/- + CGST @ 6% ` 24/- + SGST @ 6% ` 24/- = ` 448/- (Rupees four hundred forty-eight) only + Postal / Courier charges ` 100/- = ` 548/- (Rupees five hundred forty-eight) only by Registered Post / Speed Post / Courier and can be purchased from the office of the undersigned on deposit of quotation cost from **09.11.2020** to **16.11.2020**.

The quotation shall accompany with Valid GST registration certificate, PAN Card. & credentials. The rates quoted shall be F.O.R. Central Workshop, Rasulgarh, Bhubaneswar inclusive of packing, forwarding, transportation, levies, duties, etc. Applicable GST shall be paid extra. The quotation is to be duly sealed in closed covers and superscribed as **“SUPPLY OF RUBBER SEAL FOR CONSTRUCTION SLUICE GATE OF DEO IRRIGATION PROJECT”** due on **16.11.2020** to be addressed to the undersigned. Those who do not have cover the above terms and conditions, need not quote. The quotation document can also be downloaded from our website www.orissaconstruction.com to submit the quotation. OCCL will not be responsible for missing of any page while downloading.

The SSI/NSIC/MSME units participating in quotation are not entitled for exemption from payment of EMD/ Security Deposits/ Quotation Paper costs as communicated vide DOWR Letter No. IIM-24/2018-14318/WR dated 24.05.2018 & Head Office Letter No.5502/OCC/ CW-02/09(Vol-V)(WE) dated 30.05.2018.

The undersigned reserves the right to accept or reject any or all quotations without assigning any reason thereof. No postal delay shall be entertained.

Signature of the quotationer or his/their
Power of attorney holder
with designation & seal.

Senior Manager (Mech.)-I
OCC Ltd, Central Workshop,
Rasulgarh, Bhubaneswar-10.

TERMS AND CONDITIONS

1. Rubber seals must be supplied strictly confirming to IS: specification and size, as mentioned in the purchase order.
2. Original test certificate of materials confirming to relevant IS: specifications, grade and size of each rubber seals must be furnished from Govt./Govt. approved testing laboratory along with supply of materials. The purchaser is having the option to test the materials in any laboratory at the cost of the supplier and if the materials are not found in accordance with the BIS specifications, grade and size, the same shall be rejected.
3. The materials shall be guaranteed against any manufacturing defects for a period of 18 months from the date of supply or 12 months from the date of use, whichever is earlier. Guarantee certificate in this regard must accompany with supply. If any defect is found in the materials within the guarantee period, the same shall be replaced free of cost by the supplier within a suitable time fixed by the purchaser.
4. 90% payment will be made within 30 (Thirty) days of receipt, verification and acceptance of the complete materials along with bill, test certificate, guarantee certificate and other documents. Balance 10% payment shall be released within 60 (Sixty) days from the date of receipt of materials at store, OCCL, Central Workshop, Rasulgarh, Bhubaneswar. No advance payment shall be made under any circumstances.
5. The complete ordered quantity is to be supplied within 07 (Seven) days from the date of issue of the purchase order, failing which the order is liable for cancellation without assigning any reason thereof by the purchaser. In case of any delay in supply of materials beyond the delivery schedule, supplier shall be liable to pay L.D. @ 0.5% (Half percent) of the total ordered value per week of delay or part thereof subject to Max^m of 5% (Five percent) of the total ordered value. Thereafter, the order may be cancelled with the discretion of purchaser.
6. Price escalation will not be allowed under any circumstances till execution of the order.
7. The duplicate copy of the order shall be signed by the supplier on each page with his seal as acceptance of the order and shall be returned to the purchaser within 03 (Three) days of receipt of this order failing which the order is liable for cancellation.
8. Any dispute arising out of this quotation or order thereof is to be settled in proper court under the jurisdiction of Odisha High Court at Cuttack or courts under the jurisdiction of Odisha High Court at Bhubaneswar only.

Signature of the quotationer or his/their
Power of attorney holder
with designation & seal.

Senior Manager (Mech.)-I
OCC Ltd, Central Workshop,
Rasulgarh, Bhubaneswar-751010.

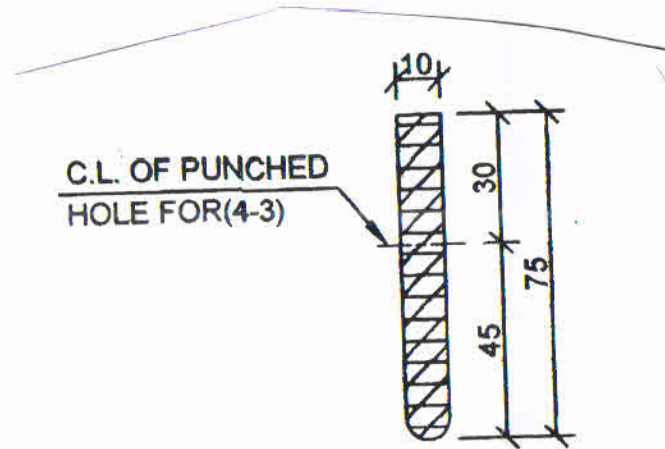
**ODISHA CONSTRUCTION CORPORATION LIMITED
(A GOVT. OF ODISHA UNDERTAKING)
CENTRAL WORKSHOP: RASULGARH,
BHUBANESWAR-751010 (ODISHA)**

**SPECIFICATION & PRICE SCHEDULE FOR
“SUPPLY OF RUBBER SEAL FOR CONSTRUCTION SLUICE GATE OF DEO IRRIGATION PROJECT”**

Sl. No.	Description of item	Unit	Reqd. Quantity in unit	Rate per unit in Rupees				Total amount for full quantity	
				Basic Price	GST as applicable	In figures	In words	In figures	In words
1	Bottom seal-1450mm long of Natural or synthetic rubber confirming to IS:11855 (Part No.4-1) (Annexure-I)	Nos.	1						
2	Side seal-1855mm long of Fluorocarbon cladded natural or synthetic rubber confirming to IS:11855 (Part No.4-4) (Annexure-II)	Nos.	2						
3	Top Seal-900mm long of Fluorocarbon cladded natural or synthetic rubber confirming to IS:11855 (Part No.4-7) (Annexure-II)	Nos.	1						
4	320 X 320 corner seal (1L & 1R) of Fluorocarbon cladded natural or synthetic rubber confirming to IS:11855 (Part No-4-9) (Annexure-III)	Nos.	2						

Signature of the quotationer or his/their
Power of attorney holder
with designation & seal.

Senior Manager (Mech.)-I
OCC Ltd, Central Workshop,
Rasulgarh, Bhubaneswar-10.



BOTTOM SEAL (4-1)

NOS.REQD./GATE = 1

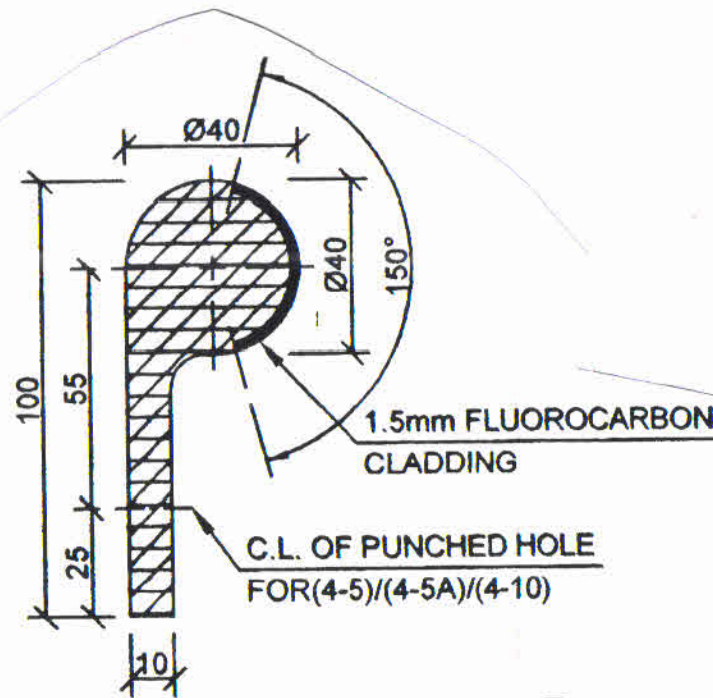
LENGTH = 1450mm

MATERIAL - NATURAL OR SYNTHETIC RUBBER
CONFORMING TO IS:11855

Rakanta

CONSTRUCTION SLUICE GATE
OF DEO IRRIGATION PROJECT

OCCL



TOP SEAL (4-7)

NOS. REQD./GATE = 1
LENGTH = 900mm

MATERIAL - FLUROCARBON CLADDEN NATURAL OR SYNTHETIC RUBBER CONFORMING TO IS:11855

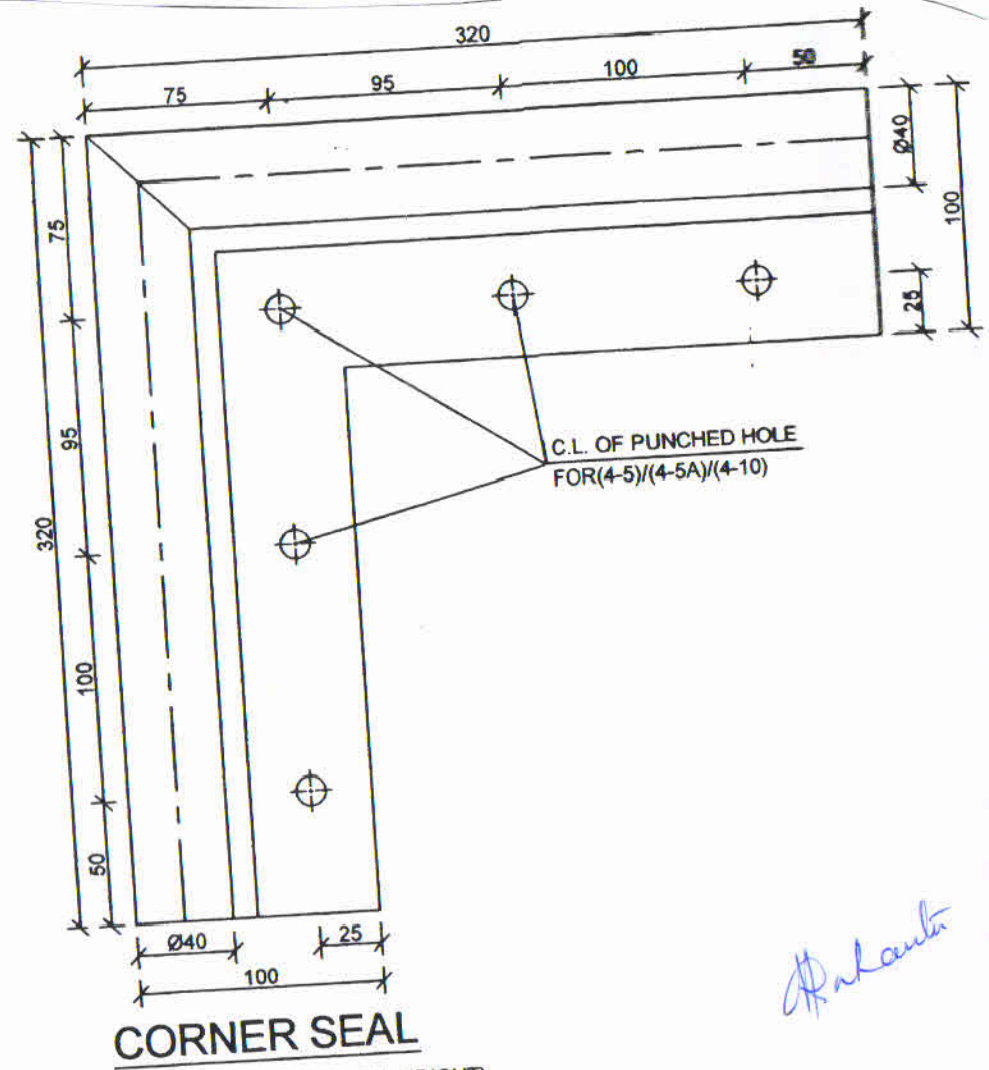
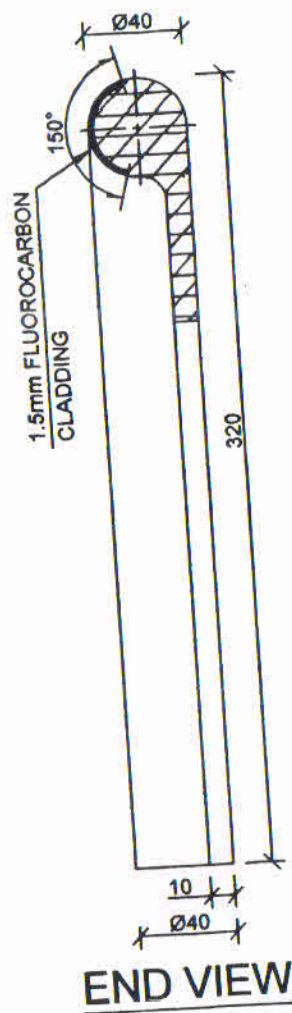
SIDE SEAL (4-4)

NOS. REQD./GATE = 2
LENGTH = 1855mm

Handwritten signature

CONSTRUCTION SLUICE GATE
OF DEO IRRIGATION PROJECT
O.C.C.L

Annexure - III



NOS REQD./GATE = 2(1 LEFT & 1 RIGHT)
MATERIAL - FLUROCARBON CLADDED NATURAL
OR SYNTHETIC RUBBER CONFORMING TO IS:11855

Handwritten signature

CONSTRUCTION SLUICE GATE
OF DEO IRRIGATION PROJECT.
OCC L