

**ODISHA CONSTRUCTION CORPORATION LIMITED
(A GOVT. OF ODISHA UNDERTAKING)
CENTRAL WORKSHOP: RASULGARH,
BHUBANESWAR-751010 (ODISHA)**

QUOTATION CALL NOTICE OCC/CWS/PROC/DEP-03/16/20-21 dated 21.07.2020

Sealed quotations are invited from reputed manufacturers or their authorized dealers/ distributors/ stockists for “**SUPPLY OF RUBBER SEAL FOR CROSS REGULATOR GATE OF HARIHARJORE IRRIGATION PROJECT**” as per detailed specification and price schedule enclosed to be received up to 3.00 PM on **25.07.2020** and opened at 4.00 PM on the same date in presence of the quotationers or their authorized representative. The sealed covers should be clearly mentioned with quotation call notice No. & date of opening on the Top right hand of sealed cover positively.

Cost of tender document (Non-refundable)	Sale of tender document		Receipt of tender	Opening of tender
Rs. 400/- GST @ 12% Rs.448/- by hand. & Rs. 548/- by Regd. Post/ courier	From 21.07.2020	To 25.07.2020 up to 1.00PM	Up to 3.00 PM on 25.07.2020	At 4.00 PM on 25.07.2020

The **SSI/NSIC/MSME** units participating in tender are not entitled for exemption from payment of **EMD/ Security Deposits/ Tender Paper costs** as communicated vide **DOWR Letter No. IIM-24/2018-14318/WR dated 24.05.2018 & Head Office Letter No.5502/OCC/ CW-02/09(Vol-V)(WE) dated 30.05.2018.**

The quotation shall accompany with valid GST registration certificate & PAN CARD. The rates quoted shall be F.O.R. OCCL Store, Rasulgarh, Bhubaneswar inclusive of all GST which will be paid extra as applicable. Price escalation will not be allowed under any circumstances till execution of the complete work. Rates quoted should be valid for a period of 6(Six) months from the date of opening of quotation. 100% payment shall be made in shape of local cheque against receipt of materials in full and verification thereof. The materials shall be supplied within 15 (Fifteen) days from the date of issue of purchase order. The quotation is to be duly sealed in closed covers super-scribed as “**SUPPLY OF RUBBER SEAL FOR CROSS REGULATOR GATE OF HARIHARJORE IRRIGATION PROJECT**” due on **25.07.2020** to be addressed to the undersigned. The quotation document can also be checked in the notice board of Central Workshop, OCCL, Rasulgarh. Quantities mentioned in the price schedule may be varied as and when required.

The undersigned reserves the right to accept/reject any or all quotations without assigning any reason thereof. No postal delay shall be entertained.

Signature of the quotationer or his/their
Power of attorney holder
with designation & seal.

Sd/-
Senior Manager (Mech.)-I
OCC Ltd, Central Workshop,
Rasulgarh, Bhubaneswar-10.

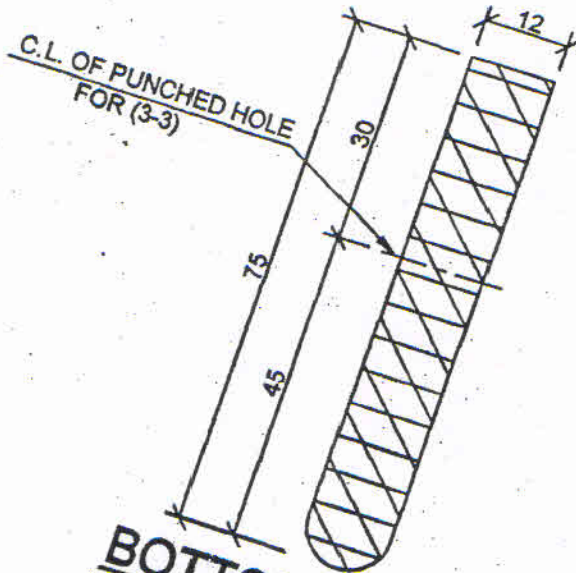
**ODISHA CONSTRUCTION CORPORATION LIMITED
(A GOVT. OF ODISHA UNDERTAKING)
CENTRAL WORKSHOP: RASULGARH,
BHUBANESWAR-751010 (ODISHA)**

**SPECIFICATION & PRICE SCHEDULE FOR
“SUPPLY OF RUBBER SEAL FOR CROSS REGULATOR GATE OF HARIHARJORE IRRIGATION PROJECT”**

Sl. No.	Description of item	Unit	Reqd. Quantity in unit	Rate per unit in Rupees				Total amount for full quantity	
				Basic Price	GST as applicable	In figures	In words	In figures	In words
1	Bottom Seal of natural or synthetic rubber confirming to IS:11855 Length-5270mm(Part No.3-1)	Nos	2						
2	Side Seal of natural or synthetic rubber confirming to IS:11855 Length-1835mm(Part No.3-4)	Nos	4						

Signature of the quotationer or his/their
Power of attorney holder
with designation & seal.

Senior Manager (Mech.)-I
OCC Ltd, Central Workshop,
Rasulgarh, Bhubaneswar-10.



BOTTOM SEAL (3-1)

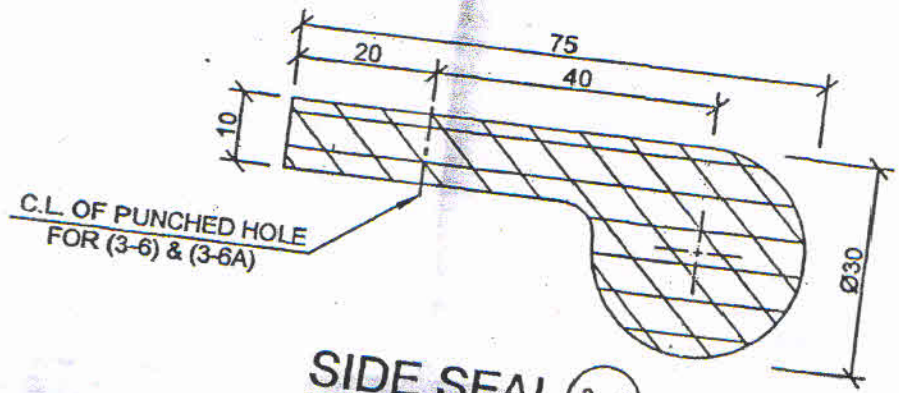
MATERIAL - NATURAL OR SYNTHETIC RUBBER
 CONFORMING TO IS:11855
 NOS. REQD. /GATE - 1
 LENGTH - 5770mm

TOTAL QTY - 02 (TWO) NOS

Ralaut
 21/07/2022

Senior Manager (M)
 OCC Ltd., Central Workshop
 Masulgarh, Bhubaneswar - 751010

CROSS REGULATOR GATE OF
 HARIHARJORE IRRIGATION PROJECT
 OCC



SIDE SEAL (3-4)

MATERIAL - NATURAL OR SYNTHETIC RUBBER
 CONFORMING TO IS:11855
 NOS. REQD. /GATE - 2

LENGTH - 1835 mm

TOTAL QTY - 04 (FOUR) NOS

Rafay
 21/07/2020
 Senior Manager (QA)
 OCC Ltd., Central Workshop
 Rasulpur, Bhubaneswar-751010

CROSS REGULATOR GATE OF
 HARIHARJORE IRRIGATION PROJECT

OCCL