

**ODISHA CONSTRUCTION CORPORATION LIMITED
(A GOVT. OF ODISHA UNDERTAKING)
CENTRAL WORKSHOP:RASULGARH,
BHUBANESWAR-751010 (ODISHA)**

QUOTATION CALL NOTICE No. OCC/CWS/PROC/HIP-01/ 04/19-20 Dtd. 31.05.2019

Sealed quotations are invited from reputed manufacturers or their authorized dealers/ stockists for **"SUPPLY OF CASTING ITEMS FOR HARIHARJORE IRRIGATION PROJECT (HOIST FOR HEAD REGULATOR OF CHAMPAMAL DISTRIBUTARY)"** as per detailed price schedule enclosed to be received up to **3.00 PM** on **08.06.2019** and opened at **4.00 PM** on the same date in presence of the quotationers or their authorized representative. The sealed covers should be clearly mentioned with quotation call notice No. & date of opening on the Top right hand of sealed cover positively.

The cost of quotation documents shall be of ` 400/- plus GST @ 12% ` 448/-(Rupees four hundred forty-eight) only by hand / ` 400/- plus GST @ 12% ` 24/- ` 448/-(Rupees four hundred forty-eight) only + Postal / Courier charges ` 100/- = ` 548/- (Rupees five hundred forty-eight) only by Registered Post / Speed Post / Courier and can be purchased from the office of the undersigned on deposit of quotation cost from **01.06.2019** to **08.06.2019** (up to **2.00 P.M.**).

The quotation shall accompany with Valid GST registration certificate, PAN Card. & credentials. The rates quoted shall be F.O.R. Central Workshop, Rasulgarh, Bhubaneswar inclusive of packing, forwarding, transportation, levies, duties, etc. GST as applicable shall be paid extra. The quotation is to be duly sealed in closed covers and superscribed as **"QUOTATION FOR SUPPLY OF CASTING ITEMS FOR HARIHARJORE IRRIGATION PROJECT (HOIST FOR HEAD REGULATOR OF CHAMPAMAL DISTRIBUTARY)"** due on **08.06.2019** to be addressed to the undersigned. The quotation document can also be downloaded from our website www.odishaconstruction.com. OCC will not be responsible for missing of any page while downloading. If there will be a public holiday on the last date of sale of quotation document and receipt & opening of the quotations as specified above, the quotation document will be sold and quotations will be received & opened on the next working day at the same time and venue.

The undersigned reserves the right to accept or reject any or all quotations without assigning any reason thereof. No postal delay shall be entertained.

Signature of the quotationer or his/their
Power of attorney holder
with designation & seal.

Senior Manager (Mech.)-I
OCC Ltd, Central Workshop,
Rasulgarh, Bhubaneswar-751010.

TERMS AND CONDITIONS

1. The casting materials must be supplied strictly as per IS specification and grade confirming to relevant standards of Bureau of Indian Standard (B.I.S) & specifications enclosed to the purchaser.
2. The materials are to be guaranteed against any manufacturing defects for a period of 18 months from the date of supply or 12 months from the date of use, whichever is earlier. Guarantee certificate in this regard must accompany with supply of materials. If any defect is found in materials within the guarantee period, the same will have to be replaced free of cost by the supplier within a suitable time fixed by the purchaser.
3. 100% payment shall be made within 30 days after receipt, verification of the complete materials along with bill, test certificate, guarantee certificate and other relevant documents.
4. Price escalation will not be allowed under any circumstances till execution of entire order.
5. The complete ordered materials are to be supplied within 20 (Twenty) days from the date of issue of the purchase order, failing which the order will be automatically treated as cancelled. In case of cancellation of the purchase order, E.M.D. will be forfeited. In case of any delay in supply of materials beyond the delivery schedule, supplier shall be liable to pay L.D. @ 0.5%(Half percent) of the total order value per week of delay or part thereof subject to a maximum of 5% (Five percent) of the total order value. Thereafter the order may be cancelled with the discretion of the purchaser.
6. The rates should be valid for a period of 120 (Hundred twenty) days from the date of opening of quotation.
7. The undersigned reserves the right to accept or reject any or all quotations without assigning any reason thereof.
8. Any dispute arising out of this tender or order thereof is to be settled in proper court under the jurisdiction of Odisha High Court at Cuttack or courts under the jurisdiction of Odisha High Court at Bhubaneswar only.

Signature of the quotationer or his/their
Power of attorney holder
with designation & seal.

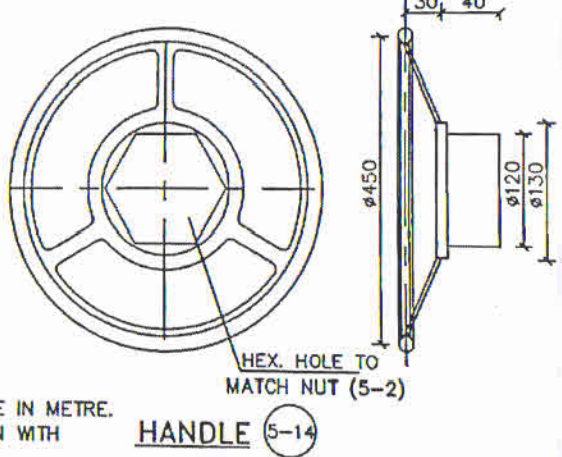
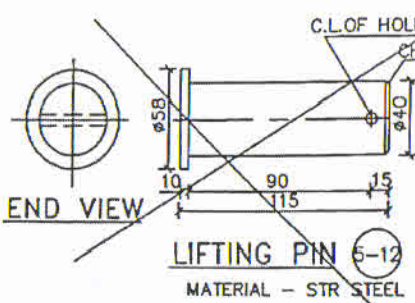
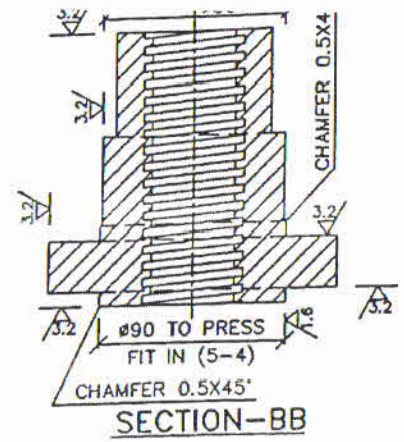
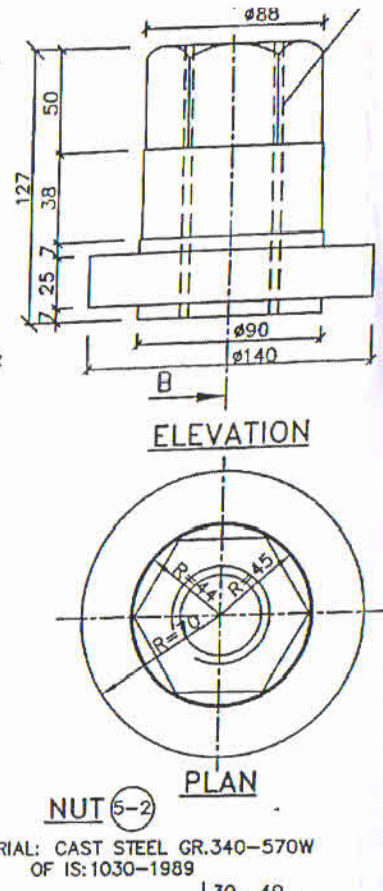
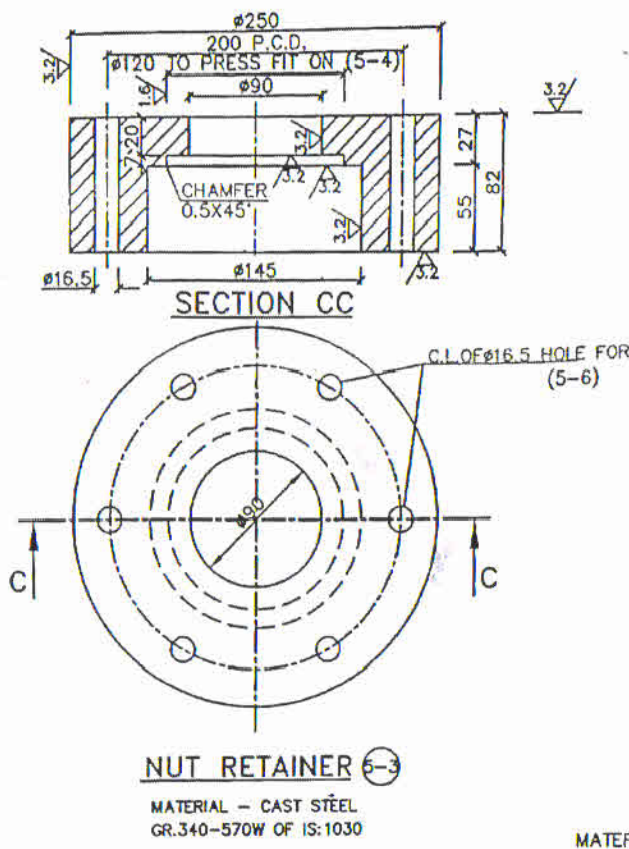
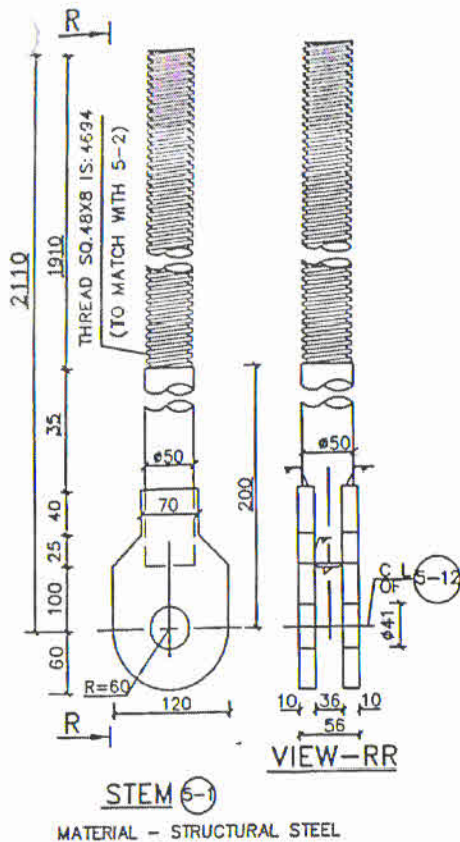
Senior Manager (Mech.)-I
OCC Ltd, Central Workshop,
Rasulgarh, Bhubaneswar-751010.

**ODISHA CONSTRUCTION CORPORATION LTD,
(A GOVT. OF ODISHA UNDERTAKING)
CENTRAL WORKSHOP, RASULGARH, BHUBANESWAR-10 (ODISHA)**

DETAILED SPECIFICATION AND PRICE SCHEDULE FOR "SUPPLY OF CASTING ITEMS FOR HARIHARJORE IRRIGATION PROJECT (HOIST FOR HEAD REGULATOR OF CHAMPAMAL DISTRIBUTARY)"									
Sl. No.	Description of materials	Total required quantity in Nos.	Rate per unit in `					Total amount for full quantity in `	
			Basic Price per each	Packing forwarding Transportation, transit insurance & handling charges	GST as applicable	Total in figures	Total in words	In figure	In words
1	NUT (5-2) : Material : Cast Steel Gr. 340-570W as per drawing enclosed.	04(Four)							
2	NUT RETAINER (5-3): Material: Cast Steel Gr. 340-570W as per drawing enclosed.	04(Four)							

Signature of the quotationer or his/their
Power of attorney holder
with designation & seal.

Senior Manager (Mech.)-I
OCC Ltd, Central Workshop,
Rasulgarh, Bhubaneswar-751010.



PART NO	NO/SET	DESCRIPTION	MTL.	RE
5-16	1	82 X 40 X 10 TH.PL (CUT TO SHAPE)	STR. STEEL	
5-15	1	ISA 50 X 50 X 6 - 300 LONG	STEEL	
5-14	1	OPERATING HANDLE	STR. STEEL	
5-13	1	SPLIT PIN #6.3 X 50 IS:549-STAINLESS STEEL	STD	
5-12	1	LIFTING PIN	STR. STEEL	
5-11	16	M16 ANCHOR BOLT-150LONG WITH NUT & WASHER	STD	
5-10	8	HEX BOLT M16X60 N-IS:1363 WITH WASHER.	STD	
5-9	8	85 X 45 X 8TH.PL (CUT TO SHAPE)	STR. STEEL	
5-8	1	ISMB 200 - 2200 LONG	STR. STEEL	
5-7	1	ISMC 100 - 925 LONG	STR. STEEL	
5-6	6	HEX SCREW M16X120 IS:1363 WITH WASHER	STD	
5-5	1	400 X 350 X 32 TH. PL.	STR. STEEL	
5-4	2	SINGLE THRUST BALL BEARING SKF 51118 OR EQUIVALENT	STD	
5-3	1	NUT RETAINER	C.S. GR.340-570	
5-2	1	NUT	C.S.GR. 340-570W	
5-1	1	STEM	STR. STEEL	

- NOTES:**
1. ALL DIMENSIONS ARE IN mm AND LEVELS ARE IN METRE.
 2. THIS DRAWING SHALL BE READ IN CONJUNCTION WITH DWG. NO.04-19-03-00-05(B).
 3. THE LENGTH OF STEM IS TENTATIVE AND SHALL BE FINALISED AS PER CONSTRUCTED STRUCTURE.

- REF. DRG. NOS. :-**
1. 04-19-03-00-01
 2. 04-19-03-00-02
 3. 04-19-03-00-05(A)
 4. 04-19-03-00-05(B)

REVISIONS

No.	ZONE	PARTICULARS	DATE	BY

ODISHA CONSTRUCTION CORPORATION LTD. BHUBANESWAR
(A GOVERNMENT OF ORISSA UNDERTAKING)

HARIHARJORE IRRIGATION PROJECT

HOIST FOR HEAD REGULATOR OF CHAMPAMAL DISTY.
HOIST PARTS DETAIL

SCALE: 1:15
MAY-18

DESIGNED	DRAWN	CHECKED	SUBMITTED	RECOM.	DRAWING No.
					04-19-03-00-05(A)

Signature